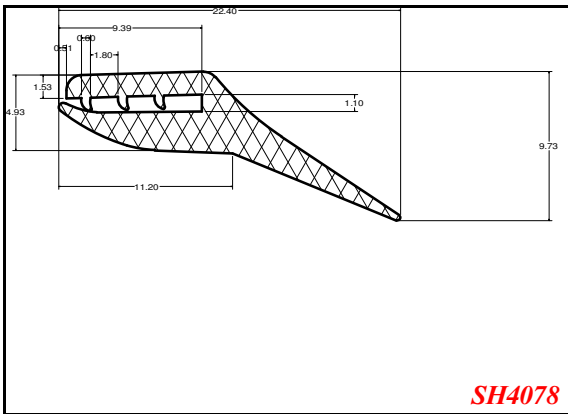
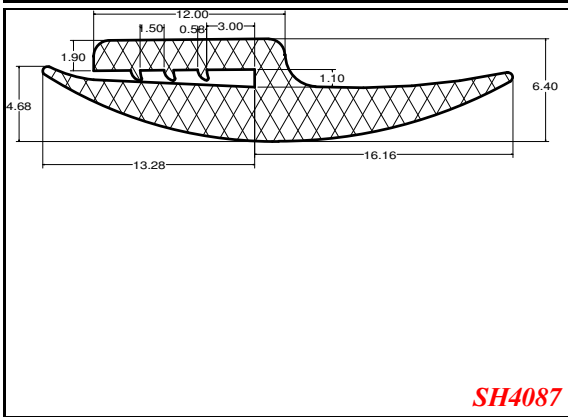


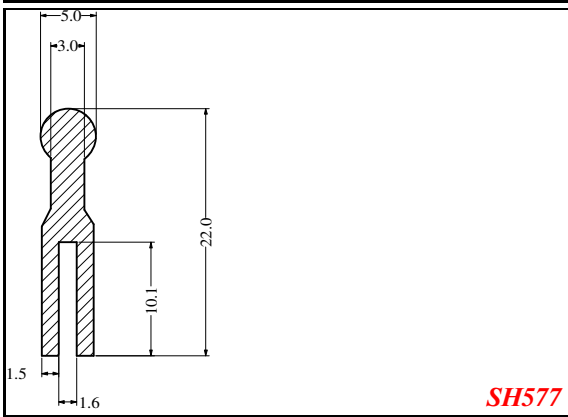
H-section



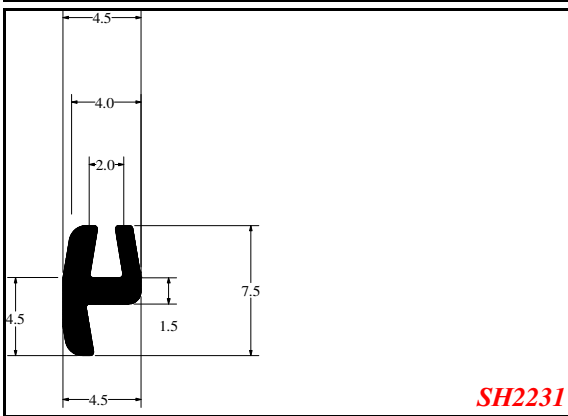
SH4078



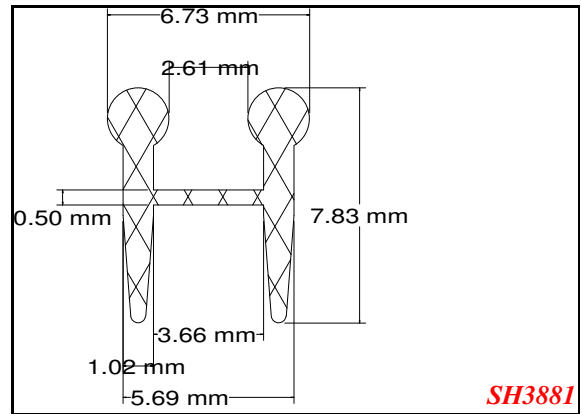
SH4087



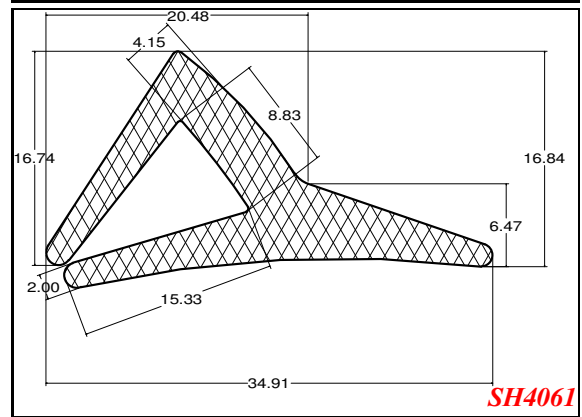
SH577



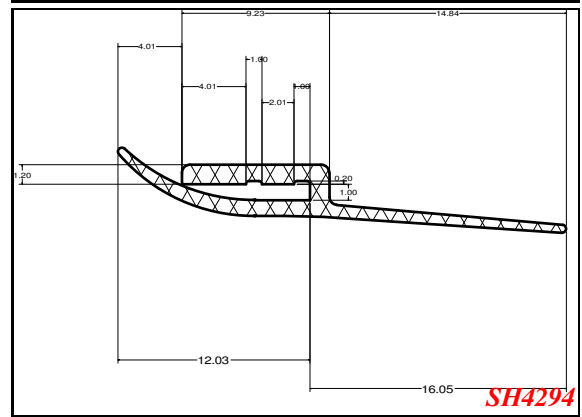
SH2231



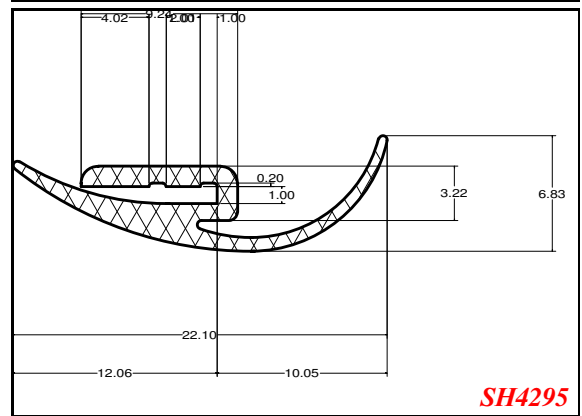
SH3881



SH4061

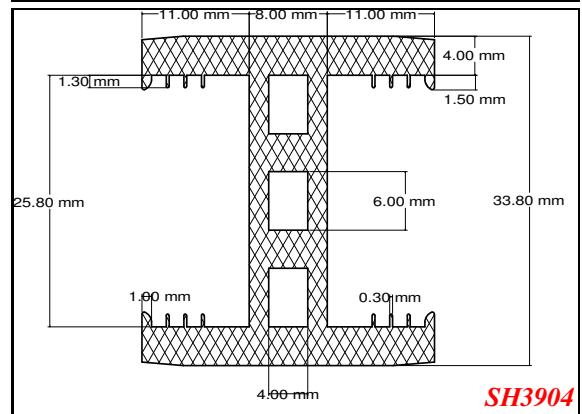
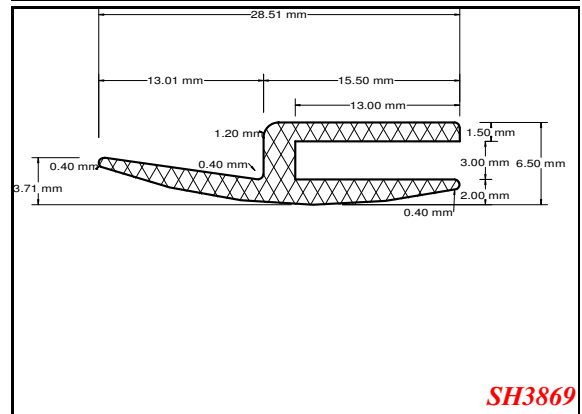
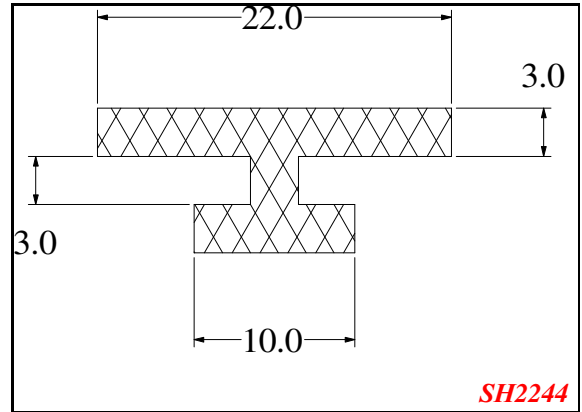
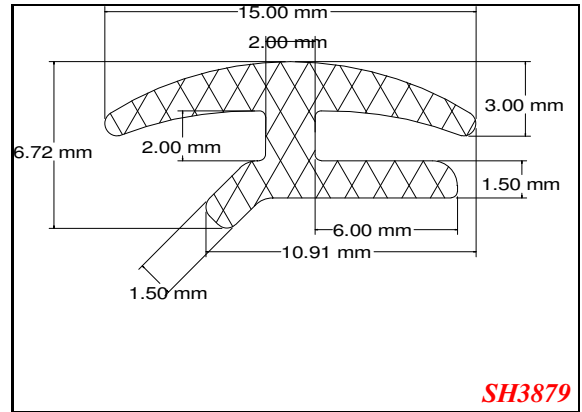
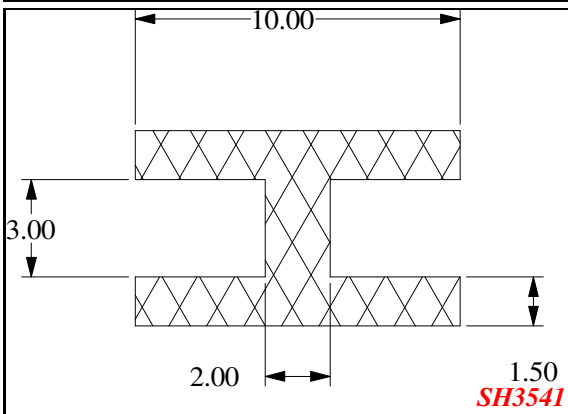
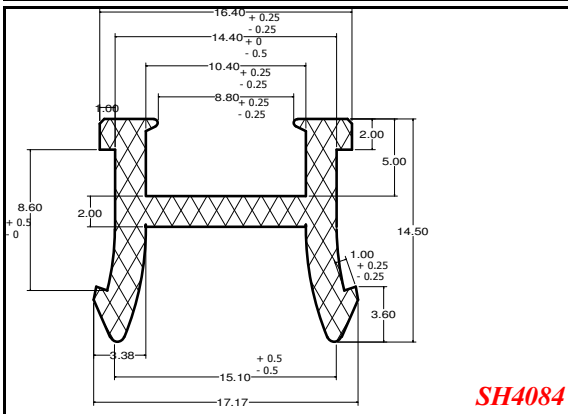
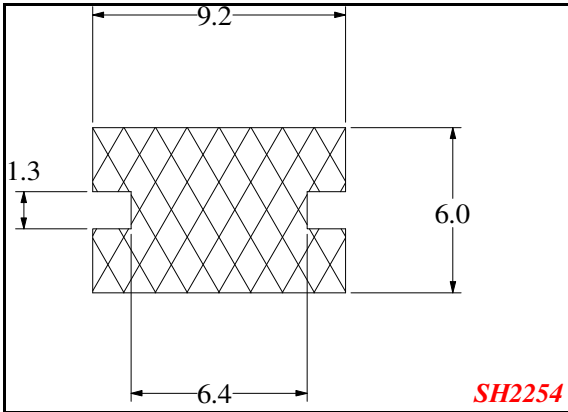
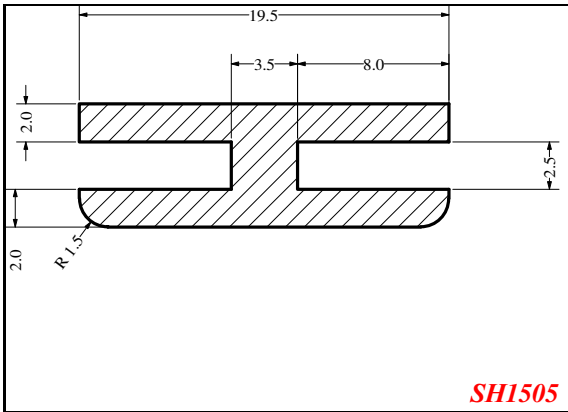


SH4294

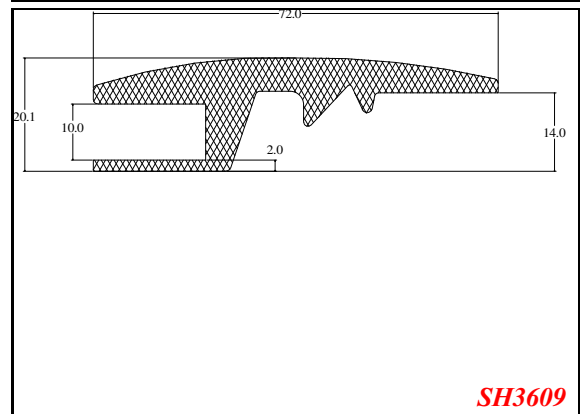
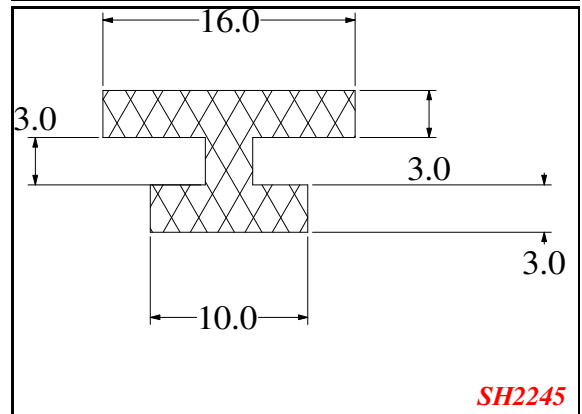
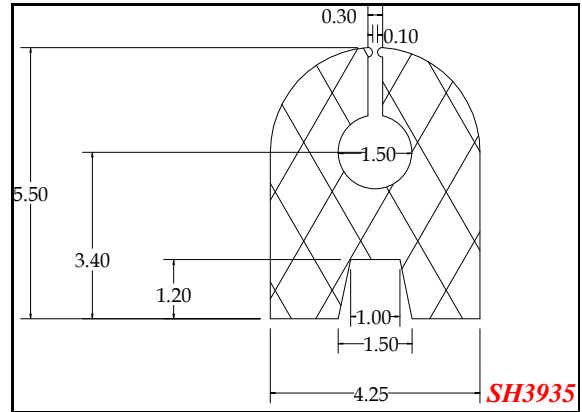
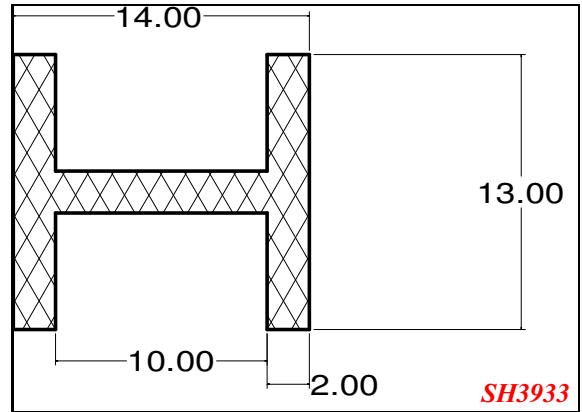
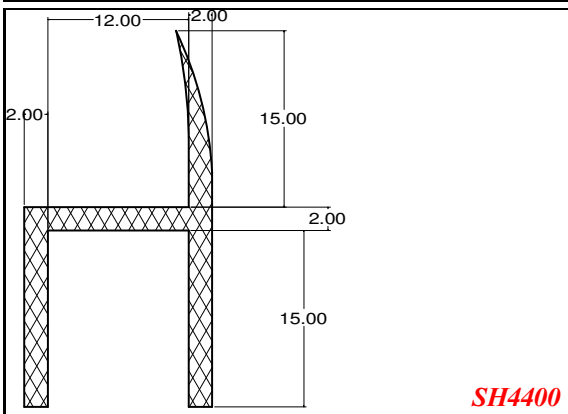
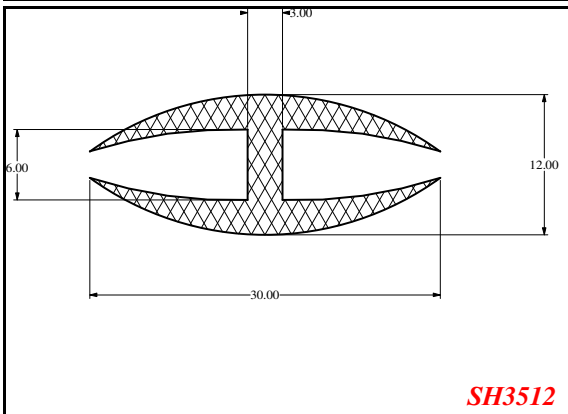
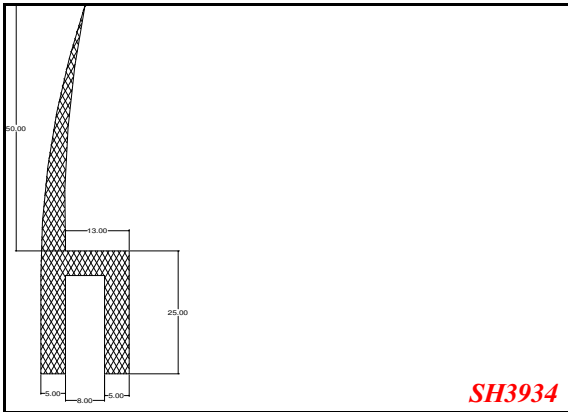
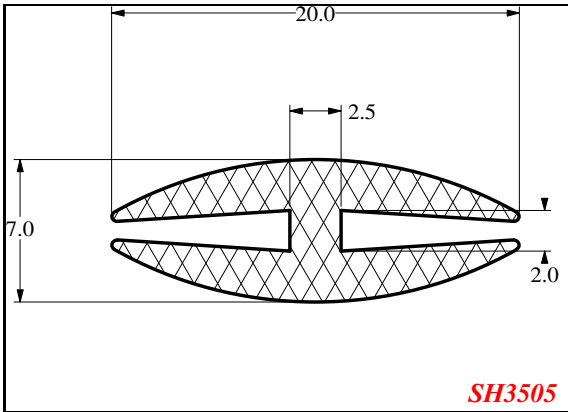


SH4295

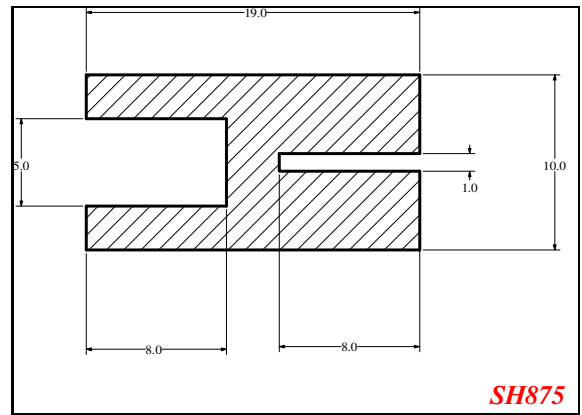
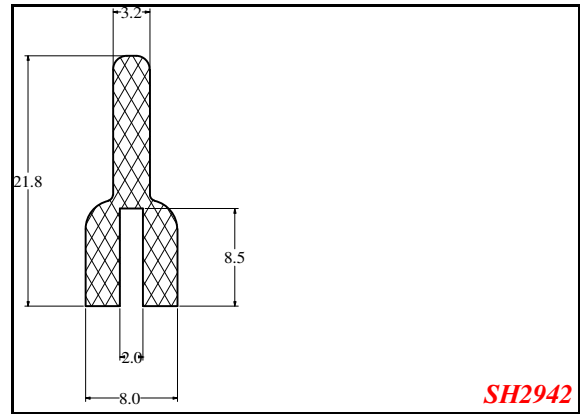
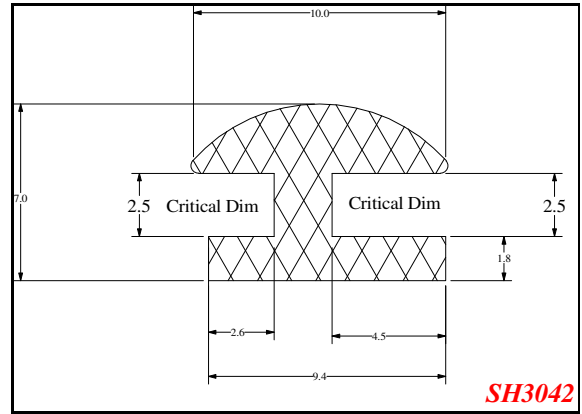
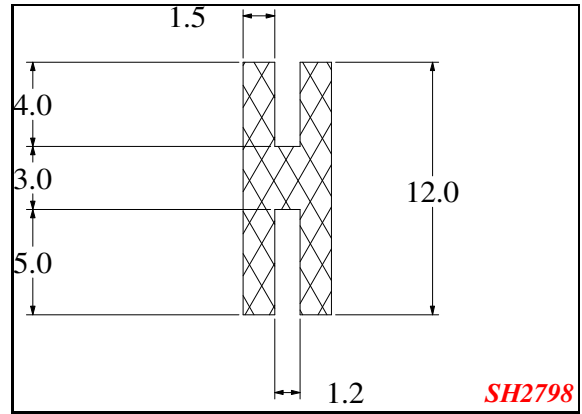
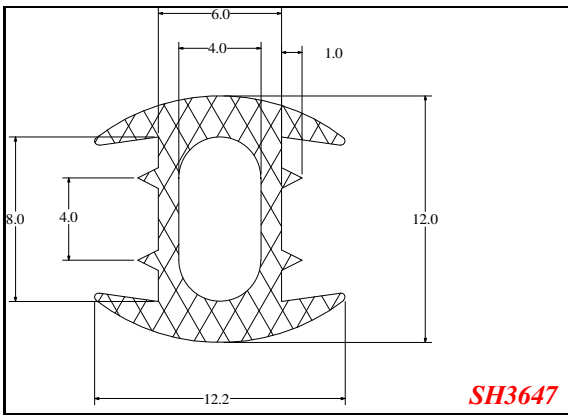
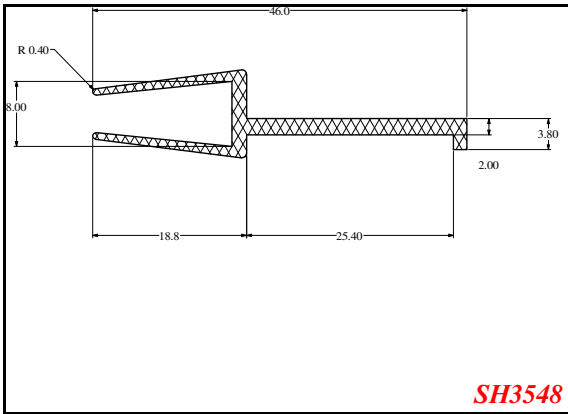
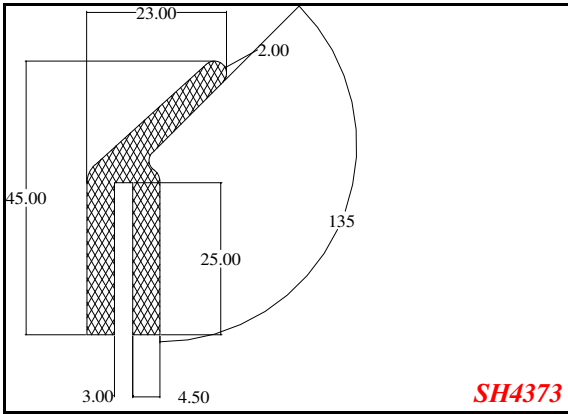
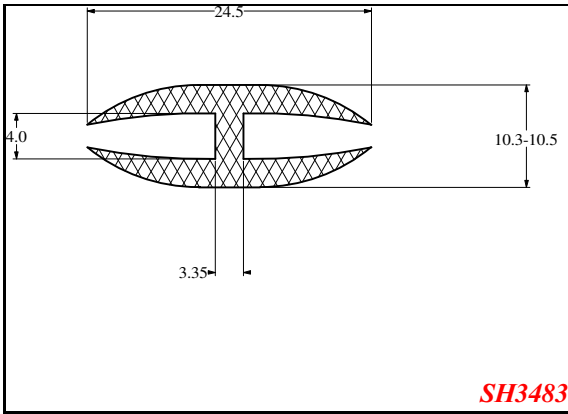
H-section



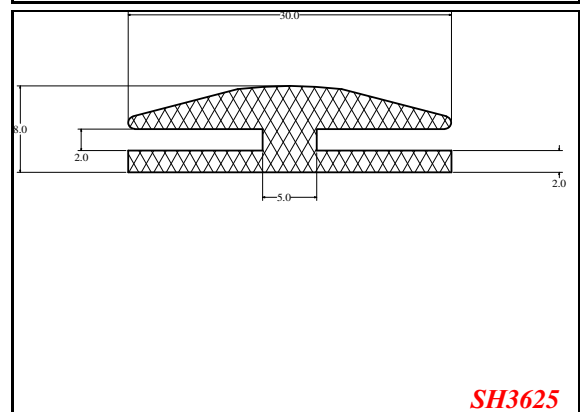
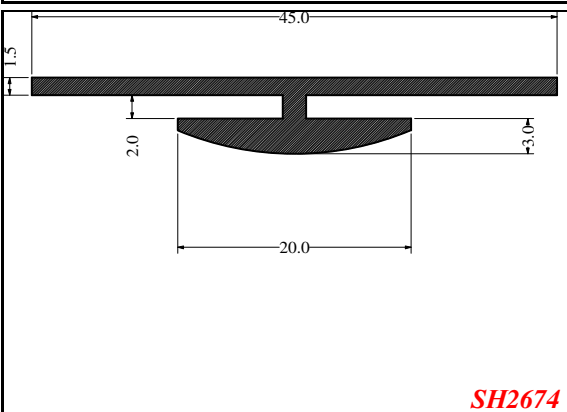
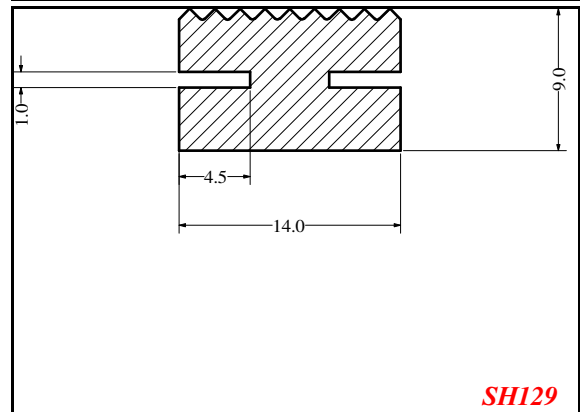
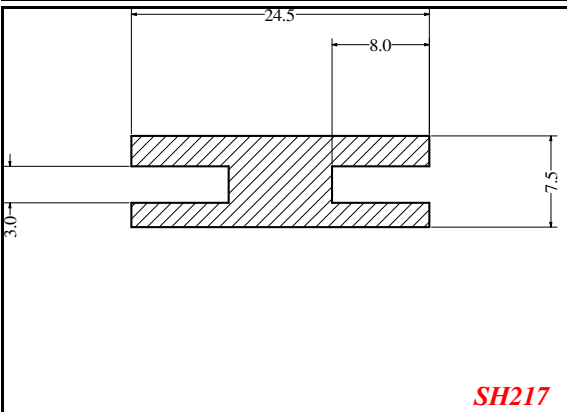
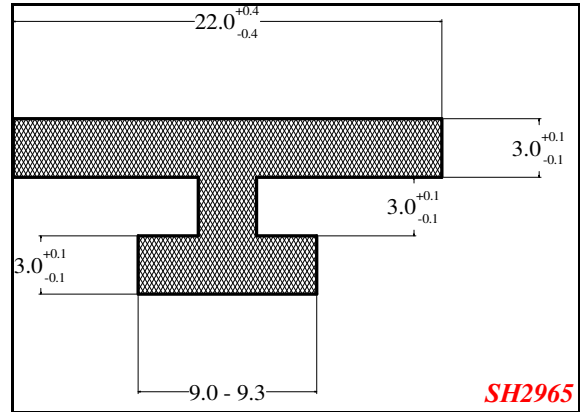
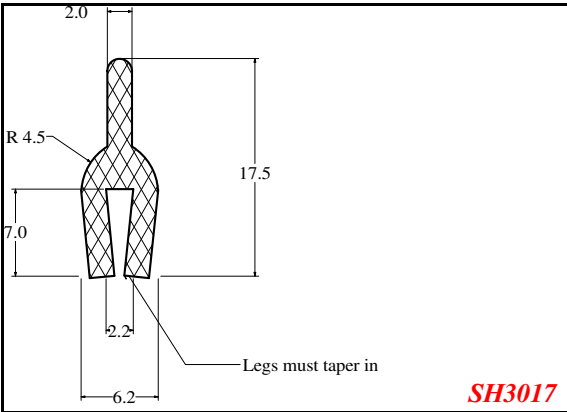
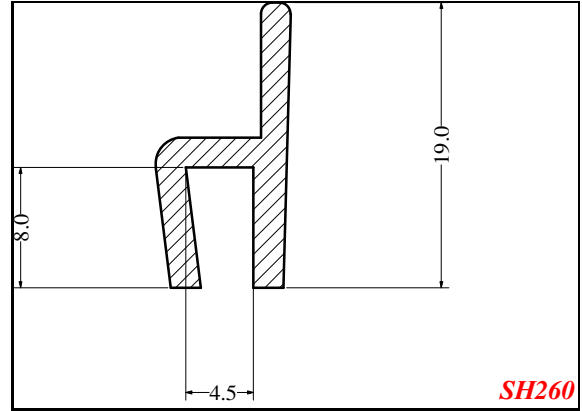
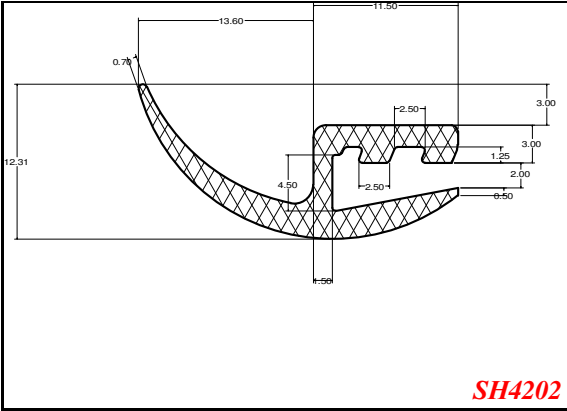
H-section



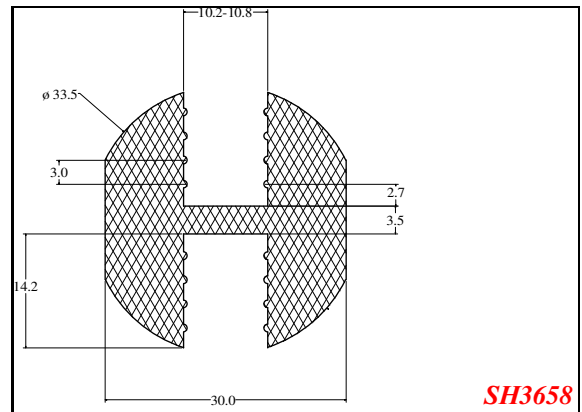
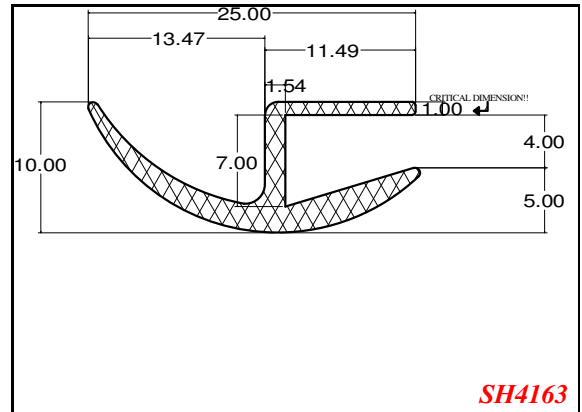
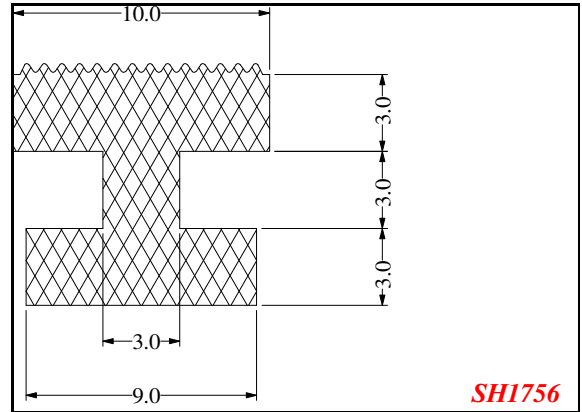
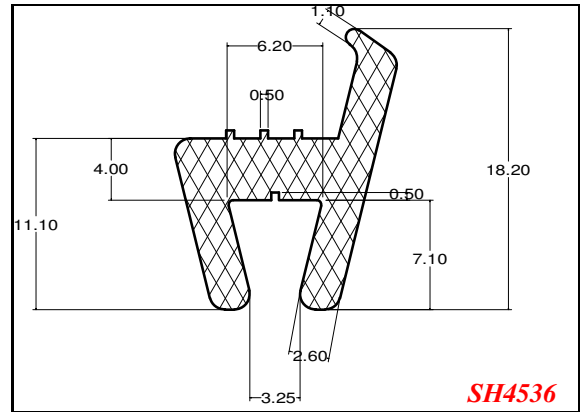
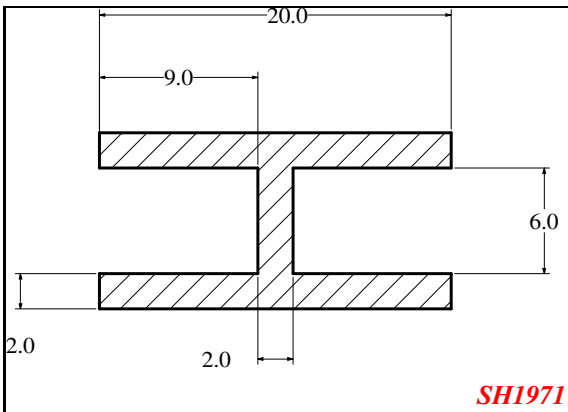
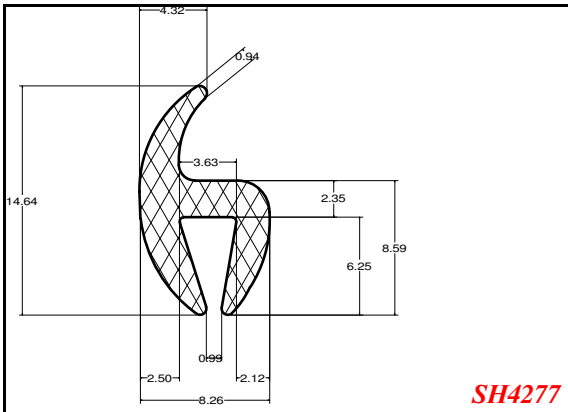
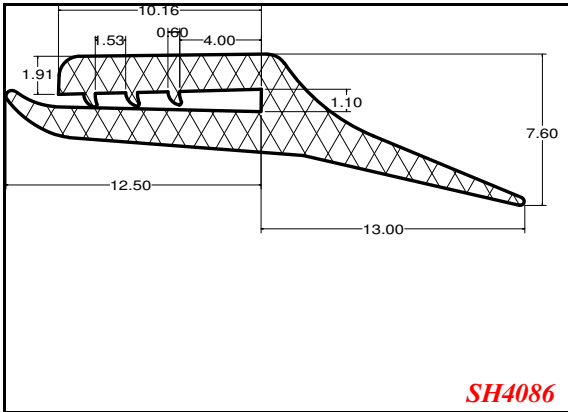
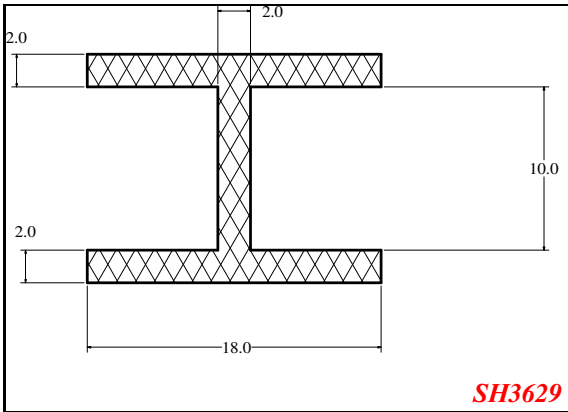
H-section



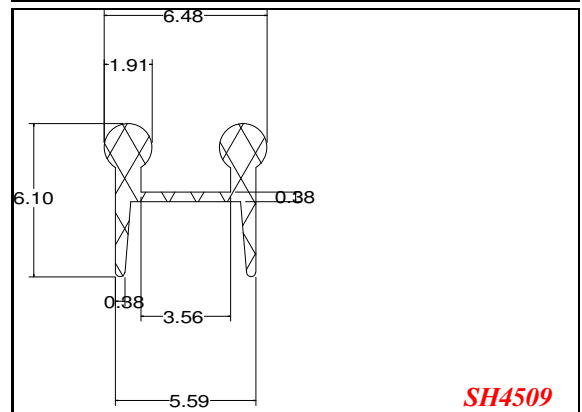
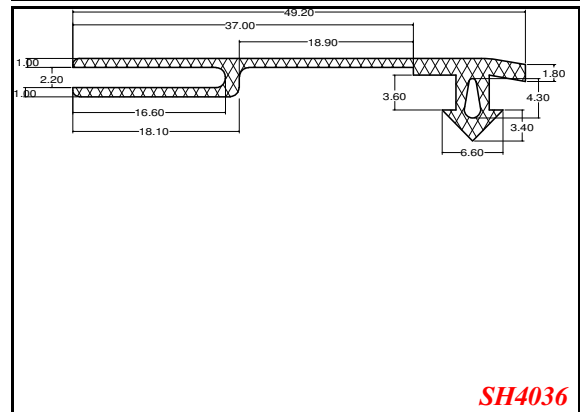
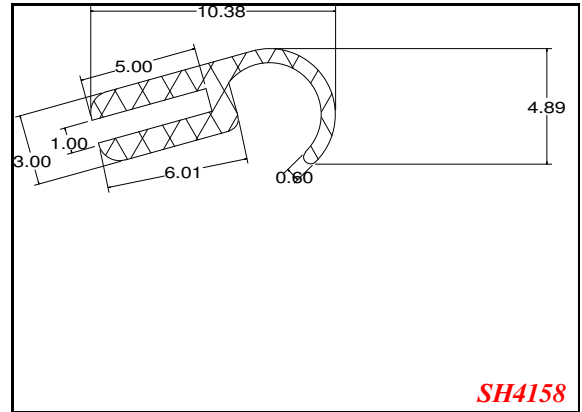
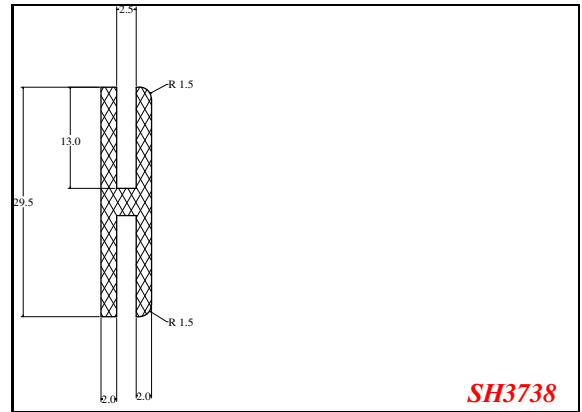
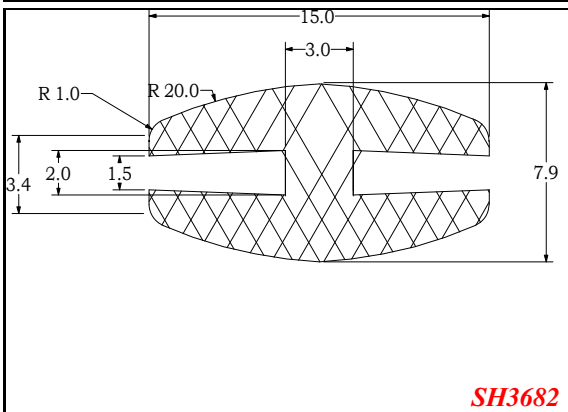
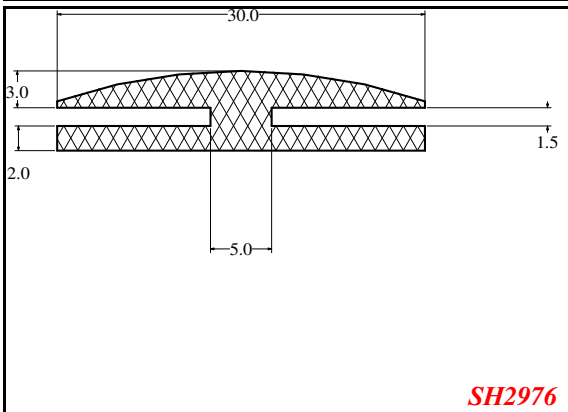
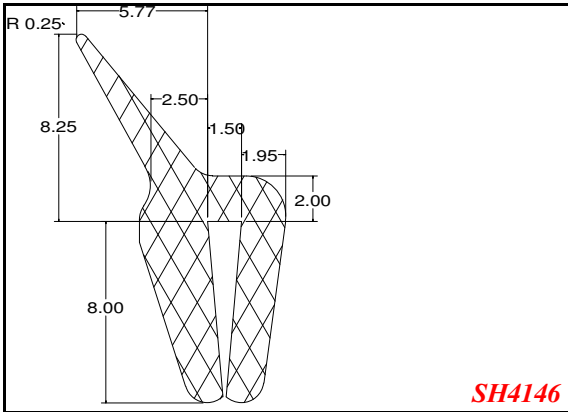
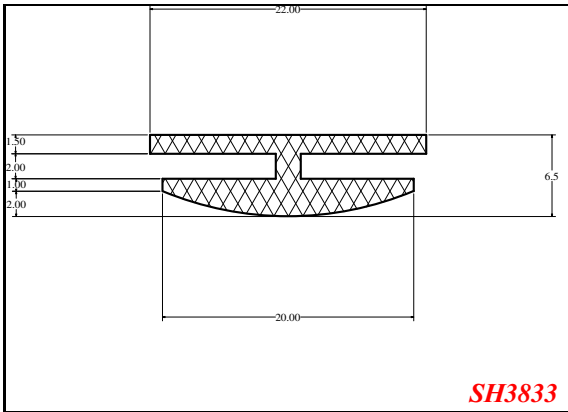
H-section



H-section



H-section



H-section

