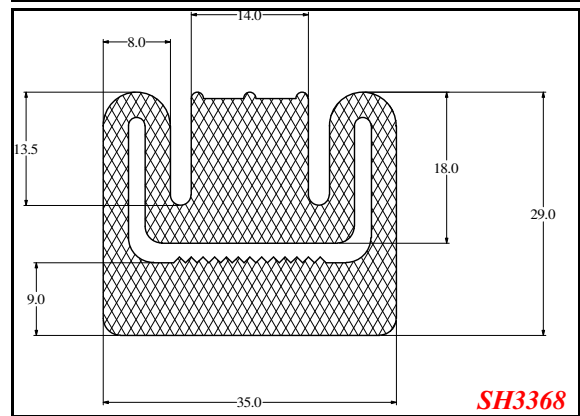
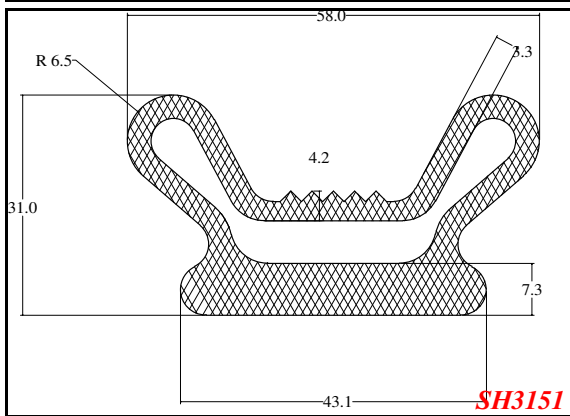
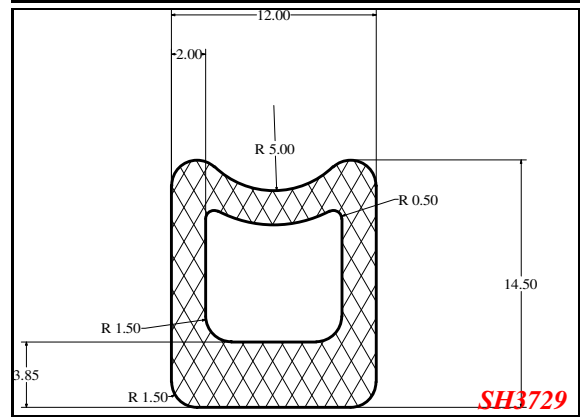
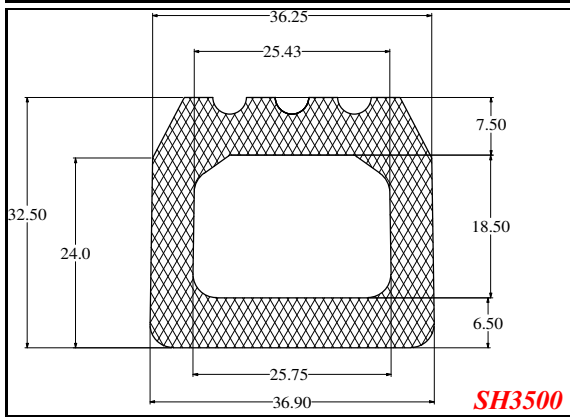
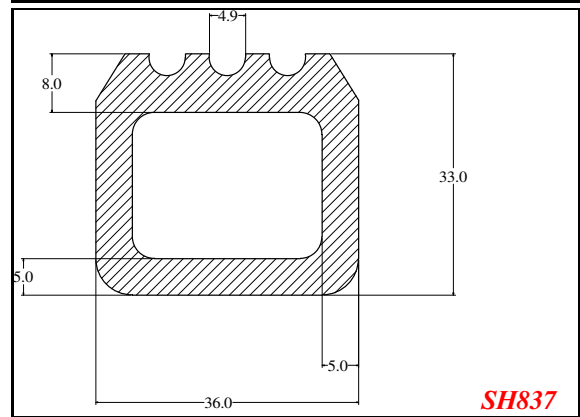
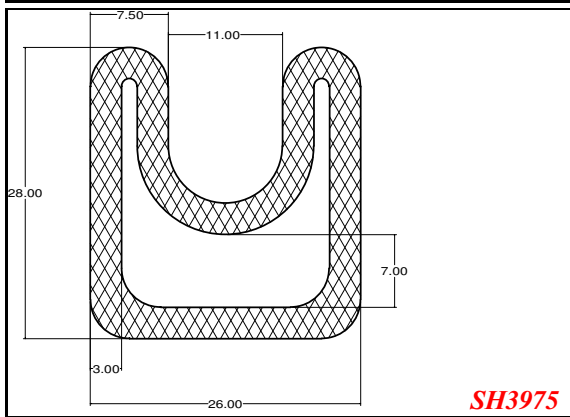
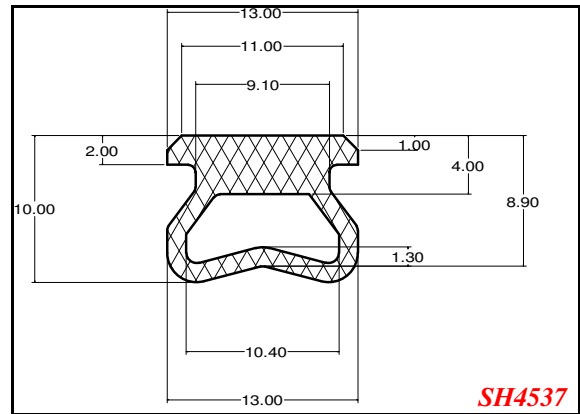
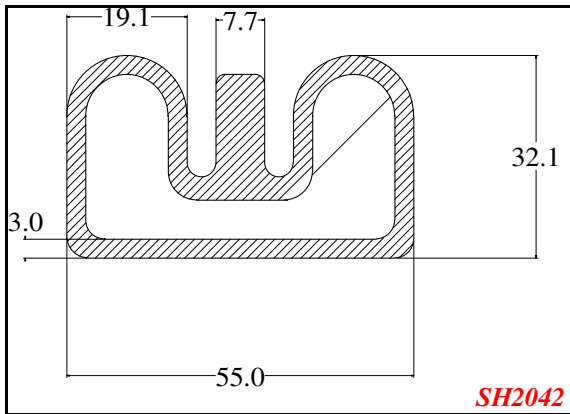
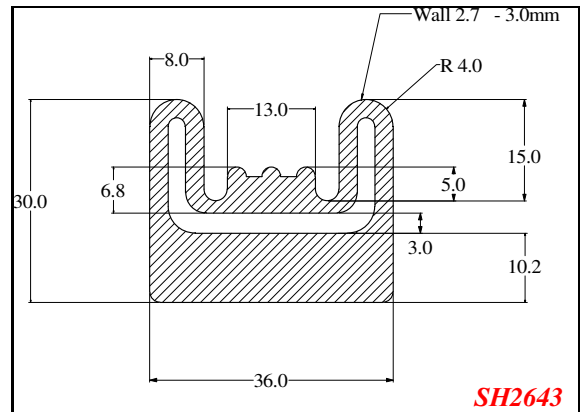
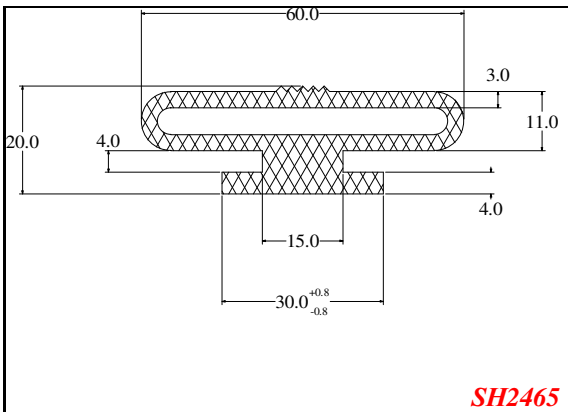
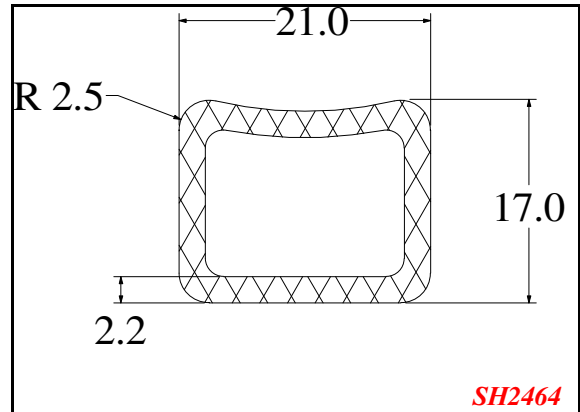
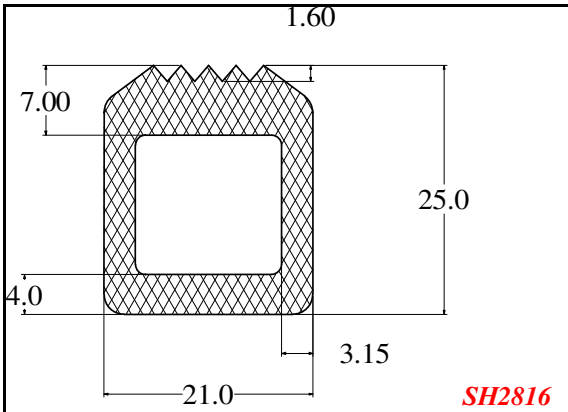
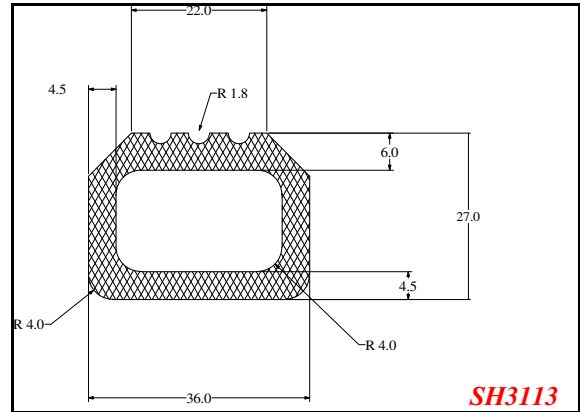
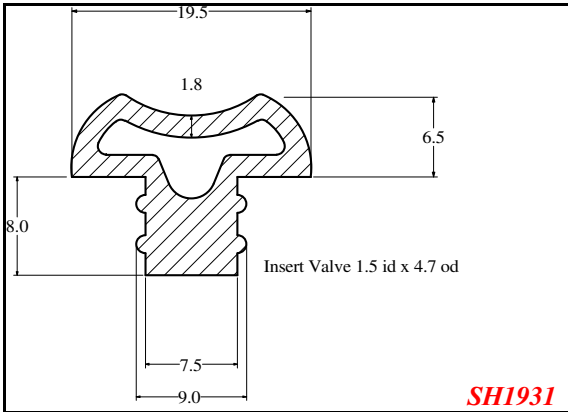
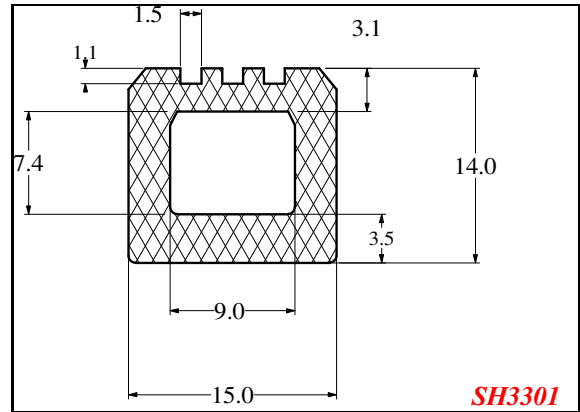
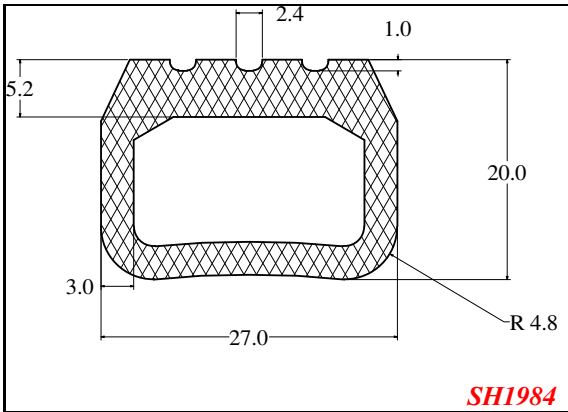


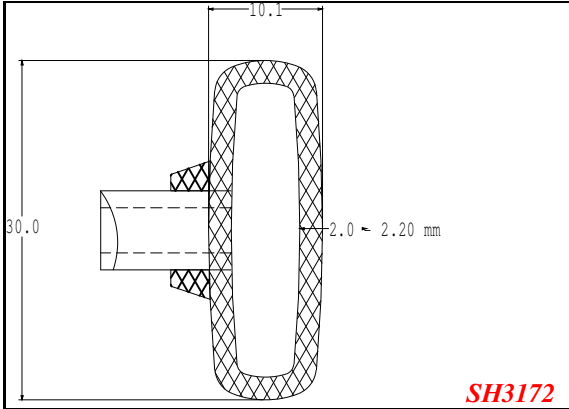
Inflatable-seal



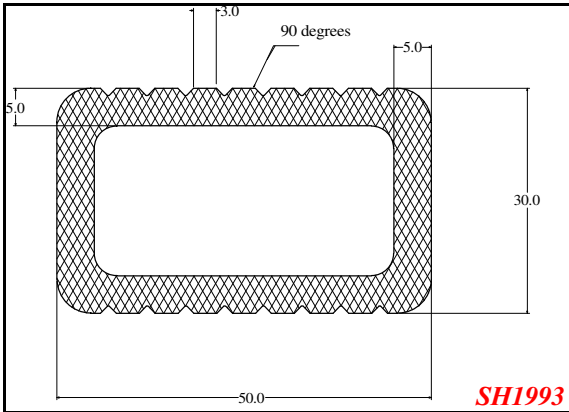
Inflatable-seal



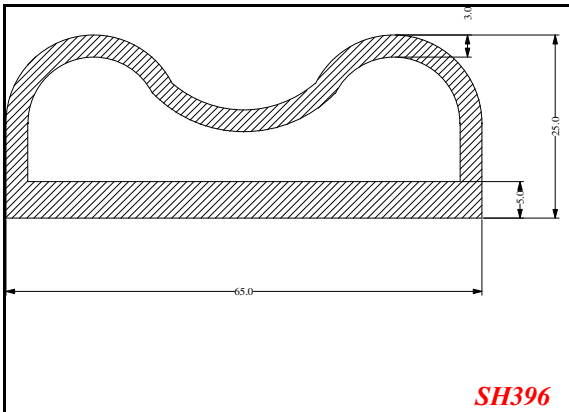
Inflatable-seal



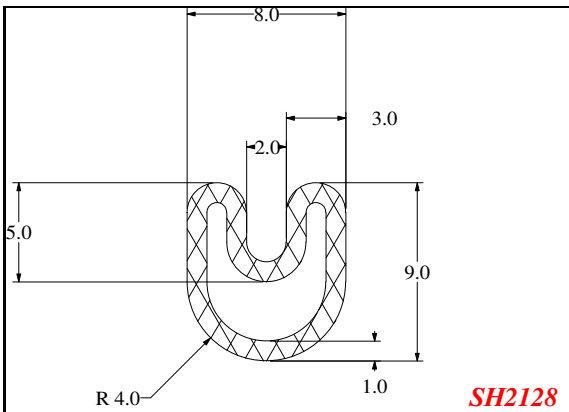
SH3172



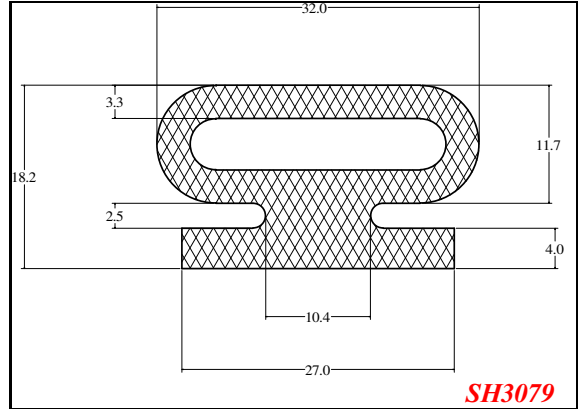
SH1993



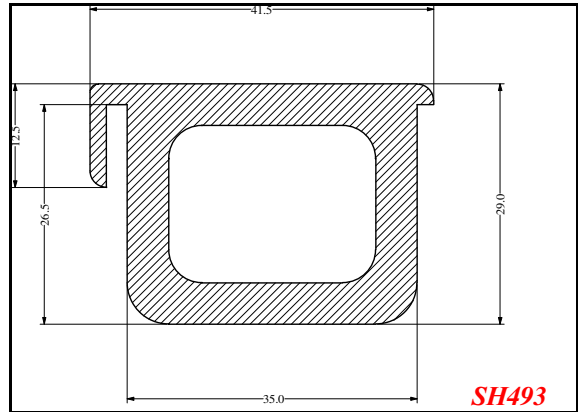
SH396



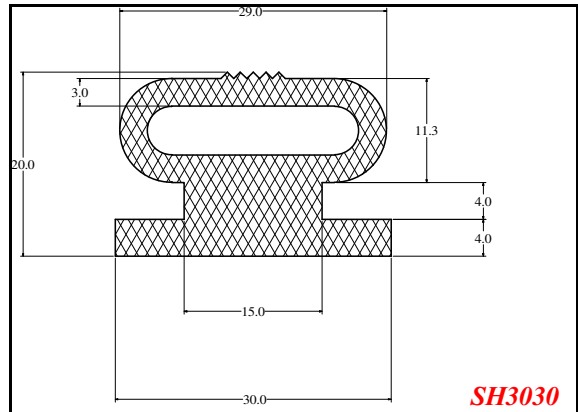
SH2128



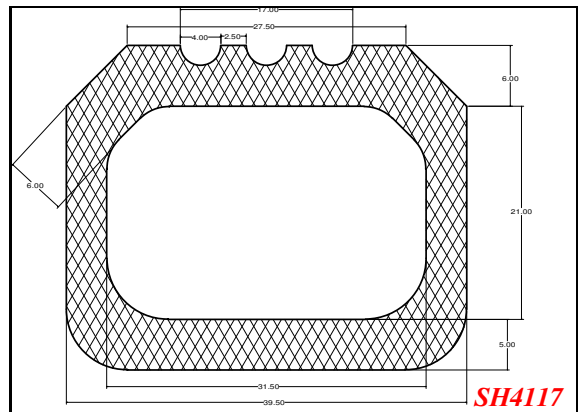
SH3079



SH493

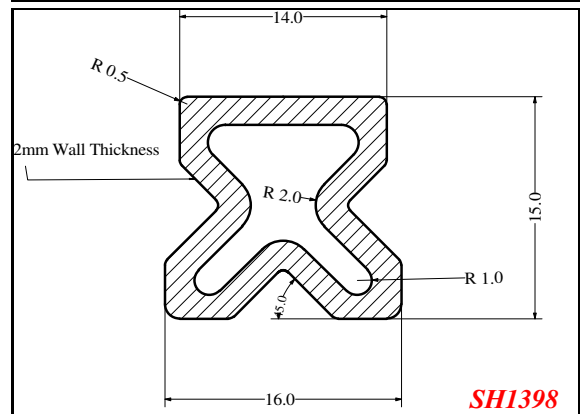
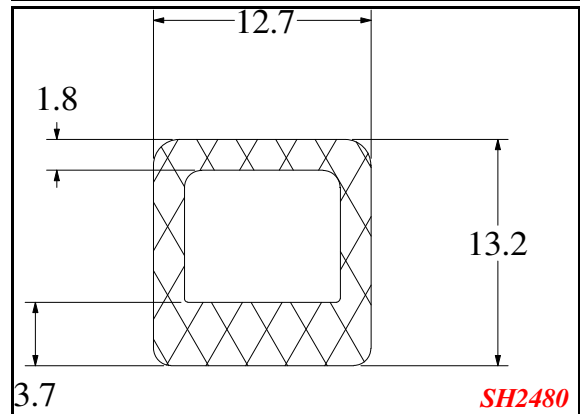
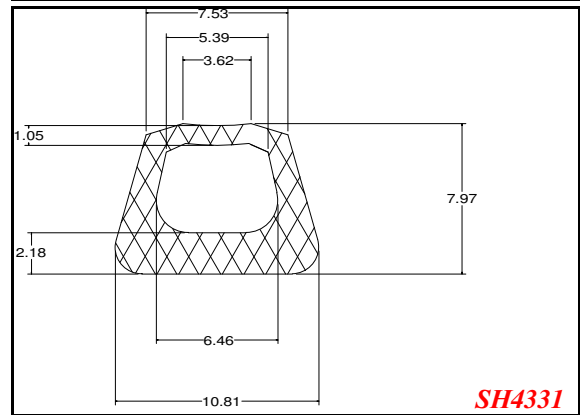
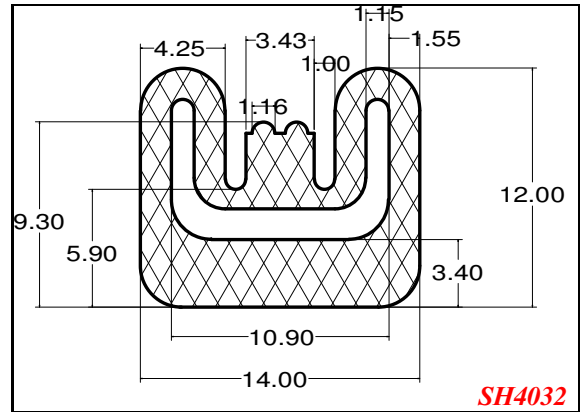
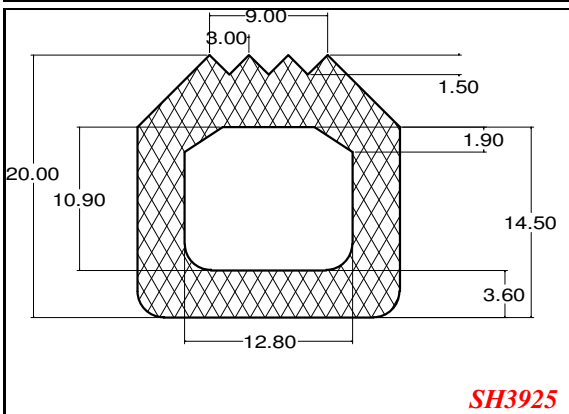
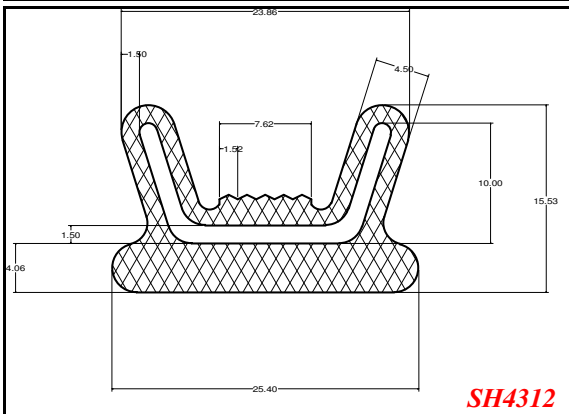
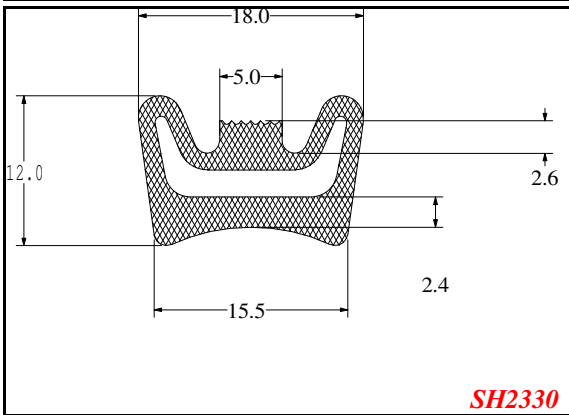
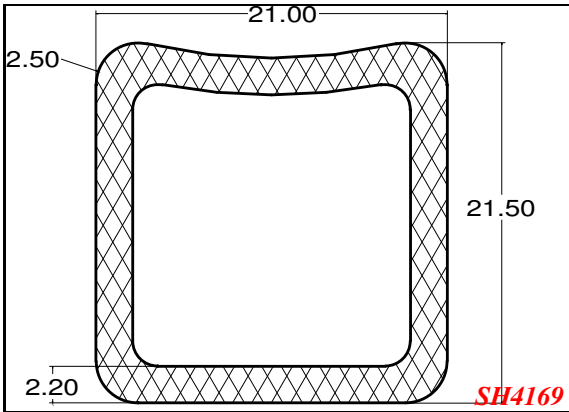


SH3030

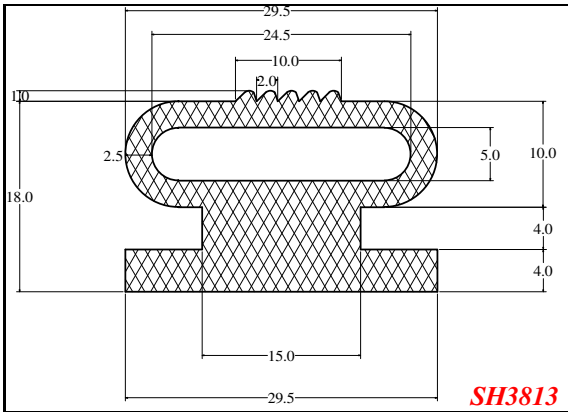


SH4117

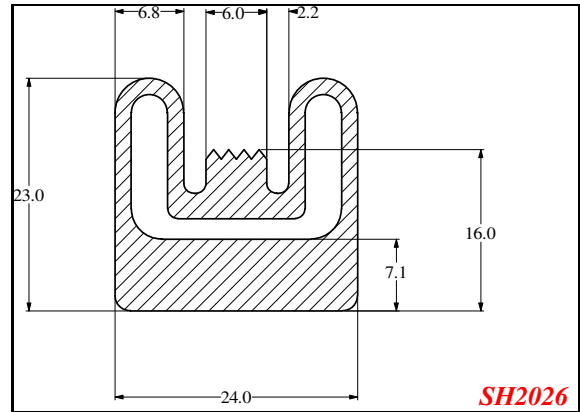
Inflatable-seal



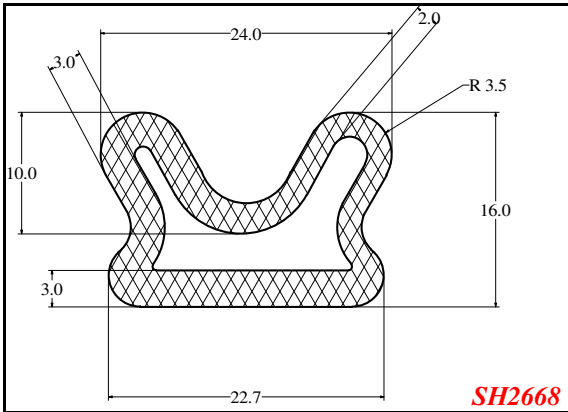
Inflatable-seal



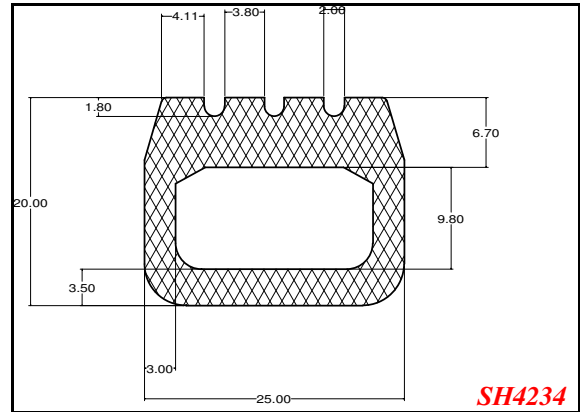
SH3813



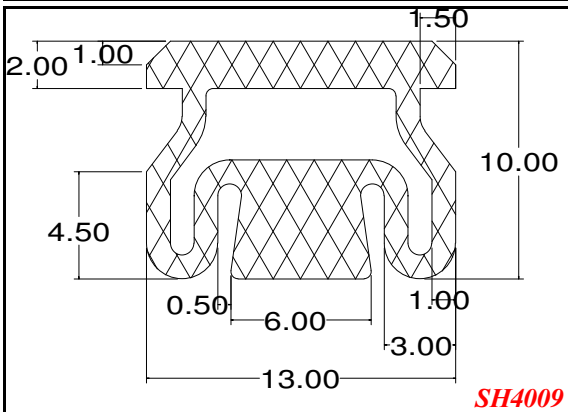
SH2026



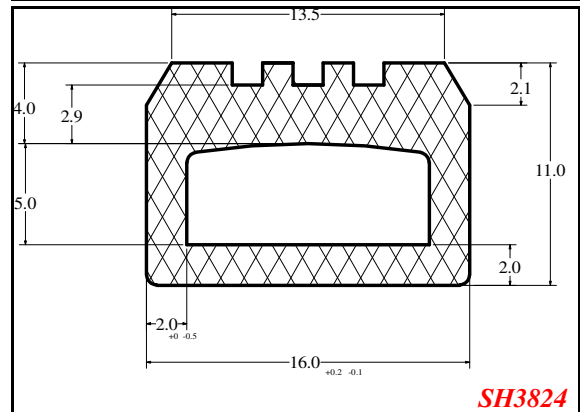
SH2668



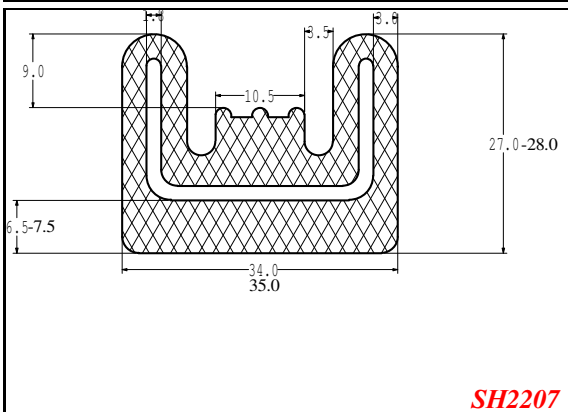
SH4234



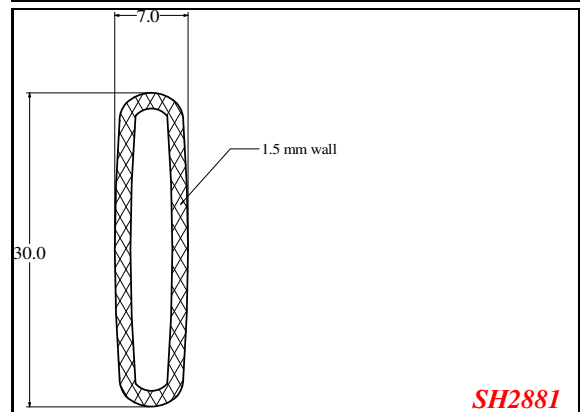
SH4009



SH3824

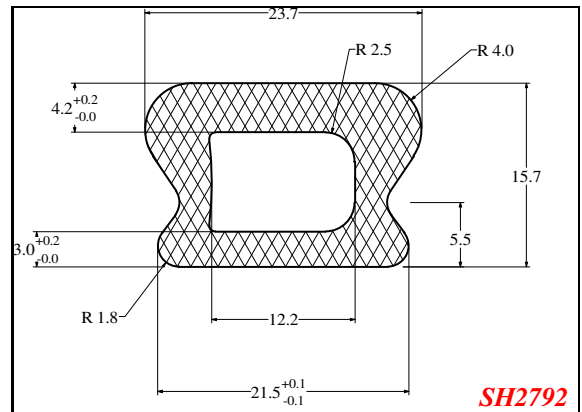
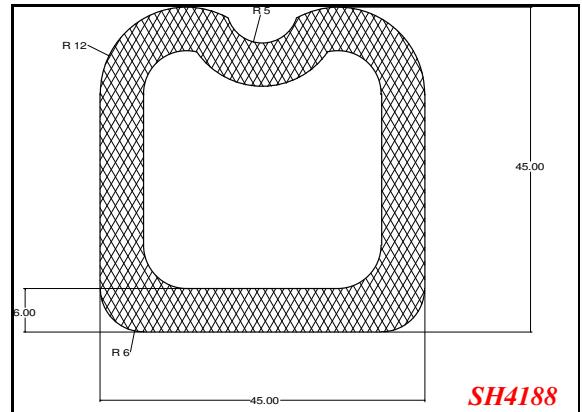
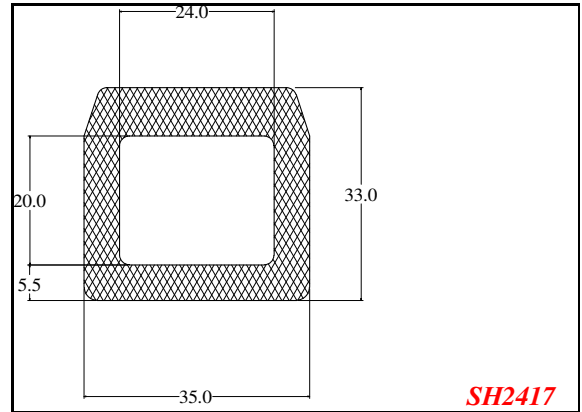
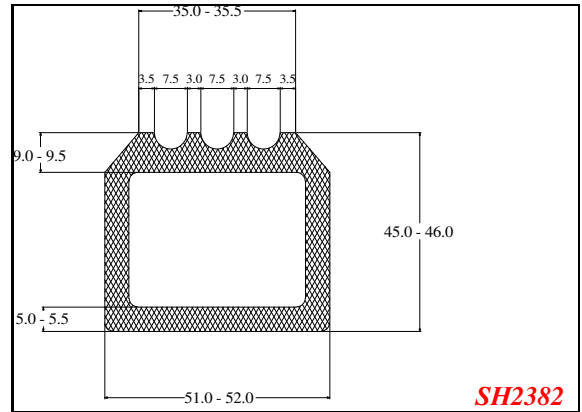
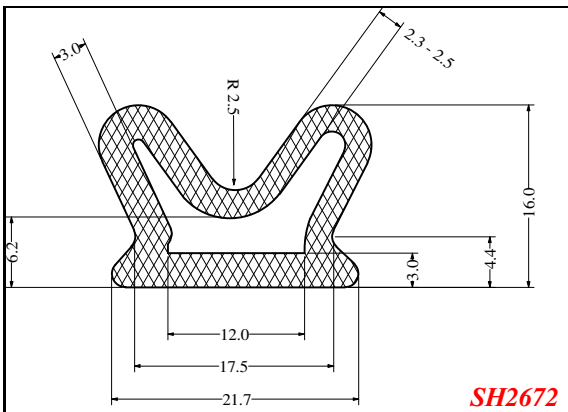
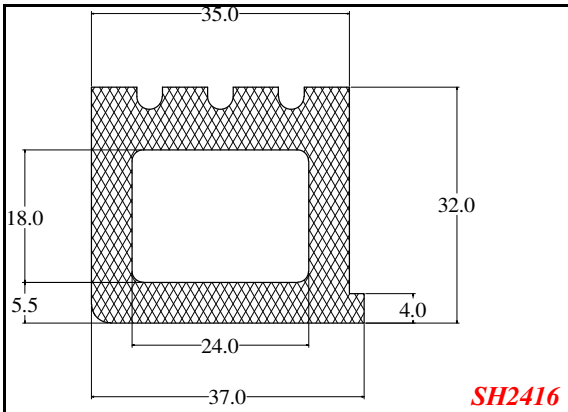
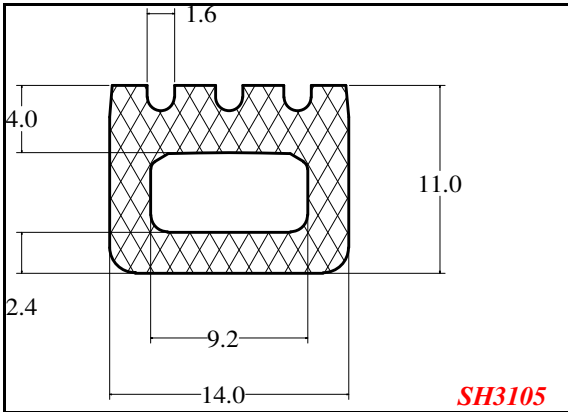
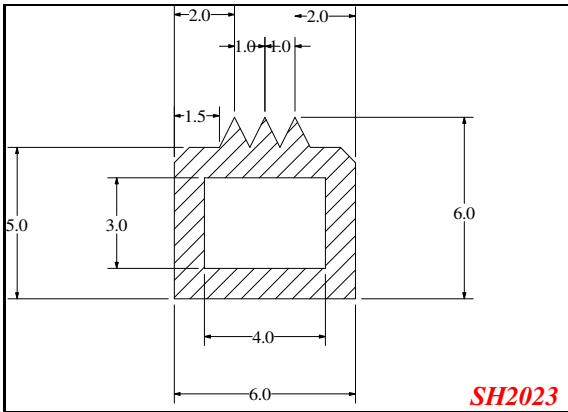


SH2207

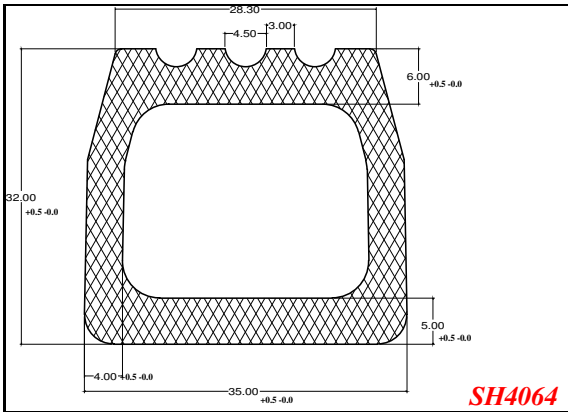


SH2881

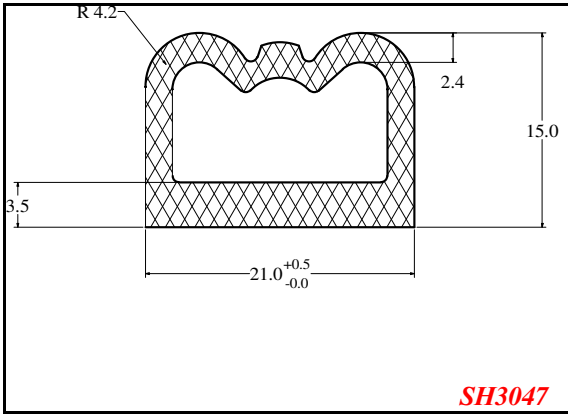
Inflatable-seal



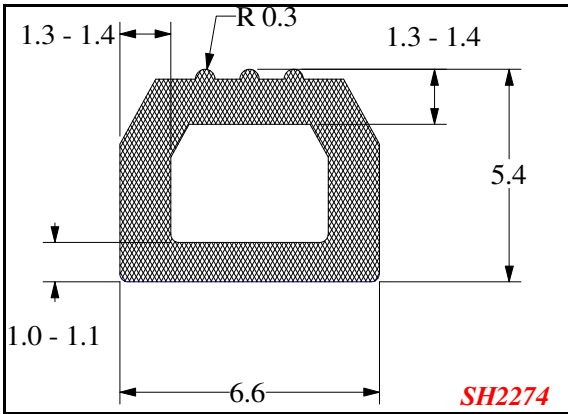
Inflatable-seal



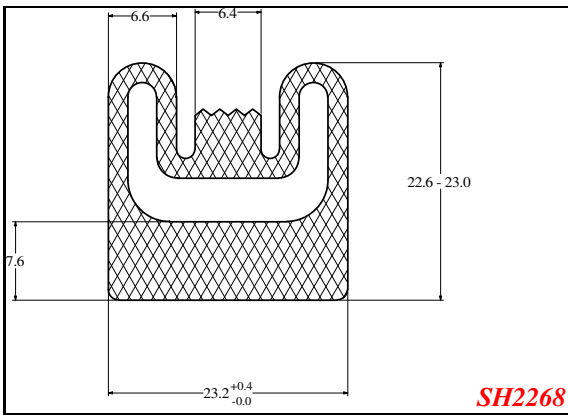
SH4064



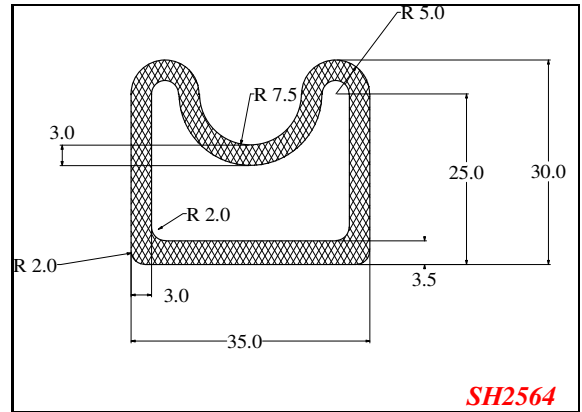
SH3047



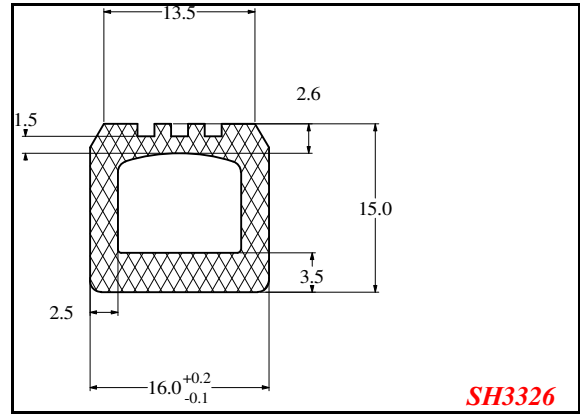
SH2274



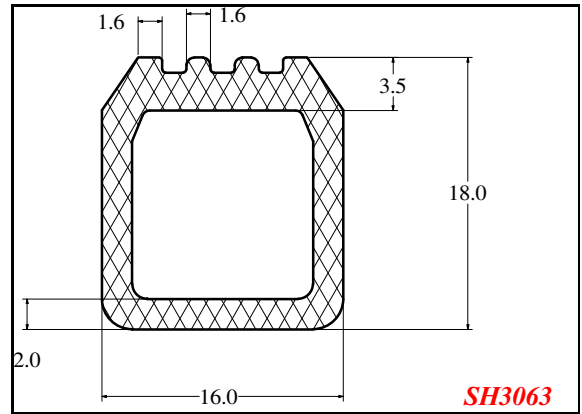
SH2268



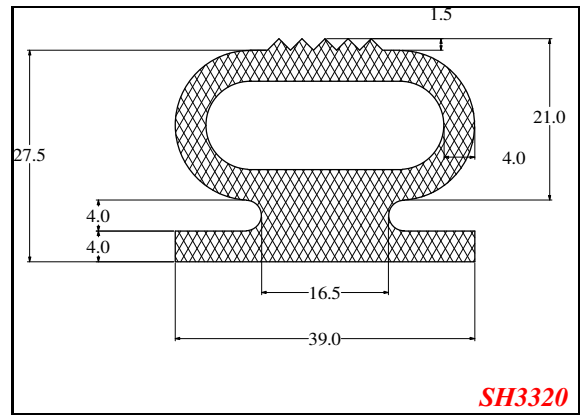
SH2564



SH3326

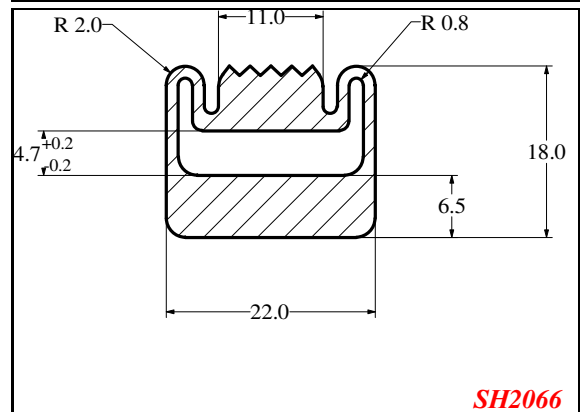
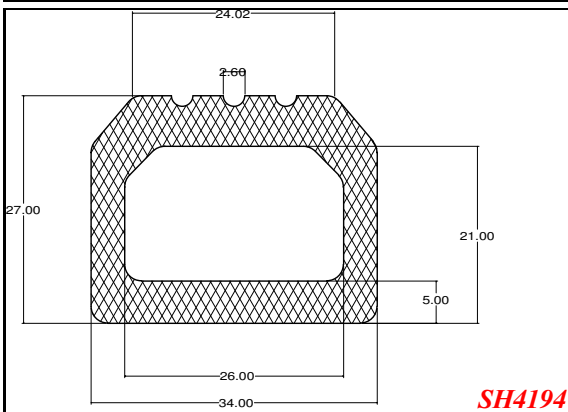
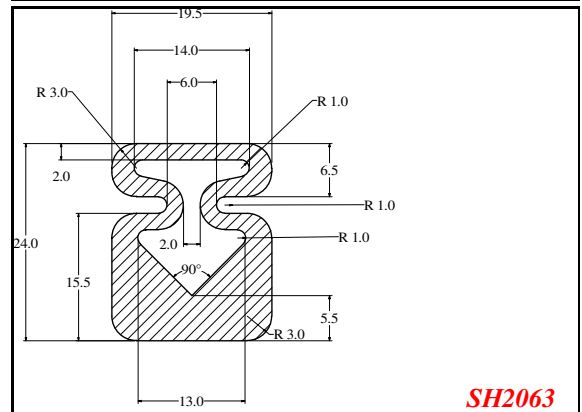
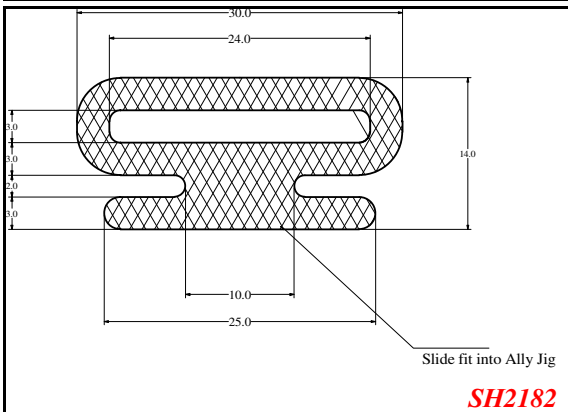
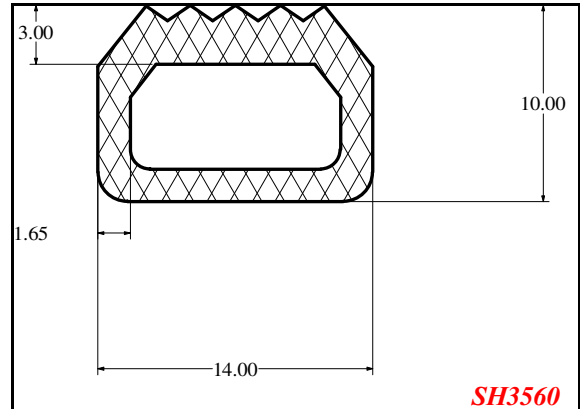
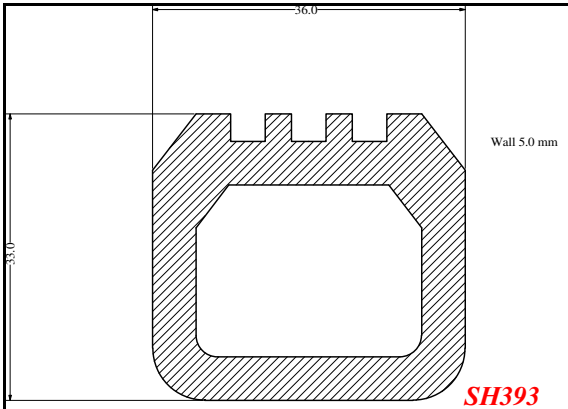
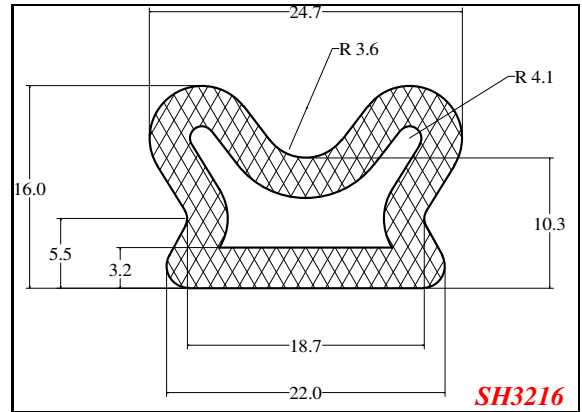
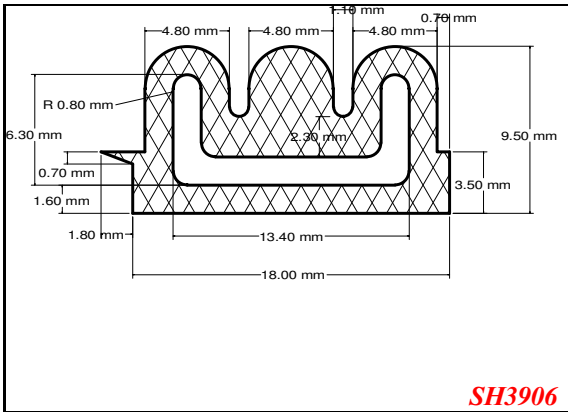


SH3063

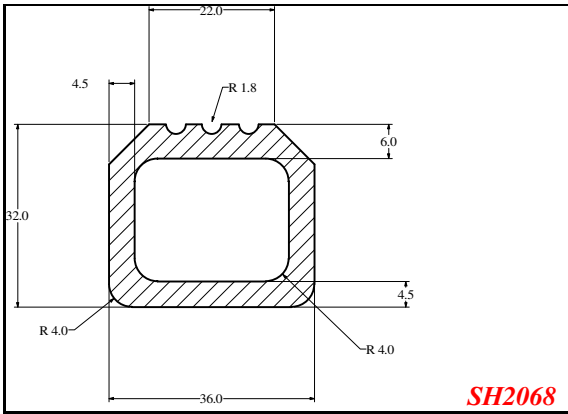


SH3320

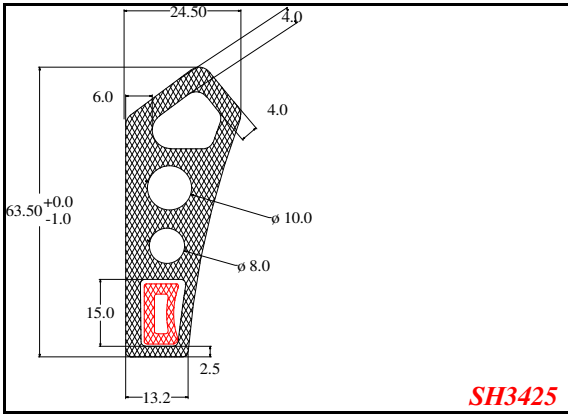
Inflatable-seal



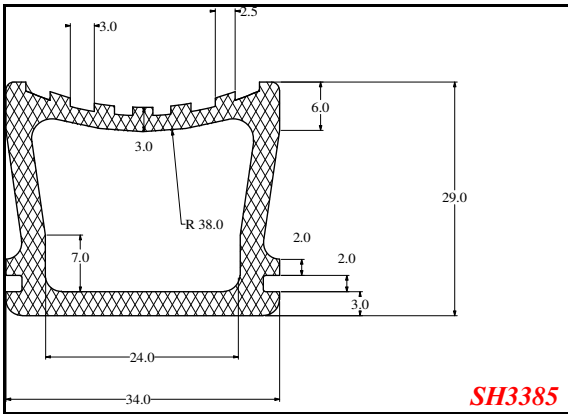
Inflatable-seal



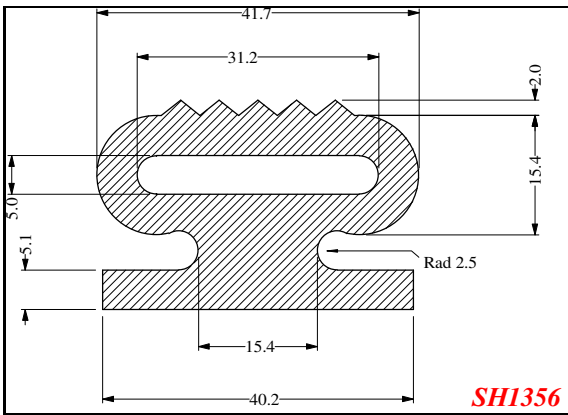
SH2068



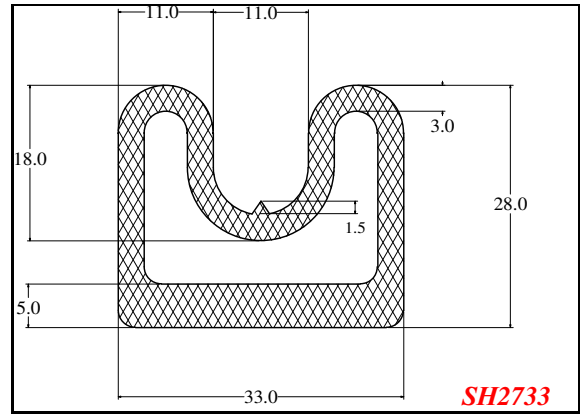
SH3425



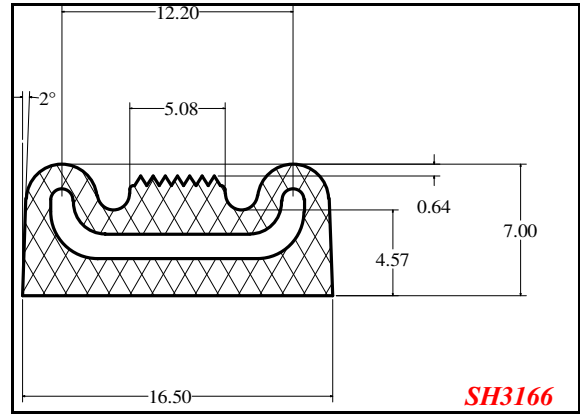
SH3385



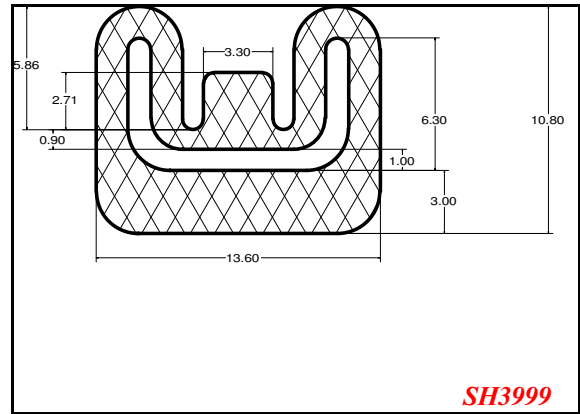
SH1356



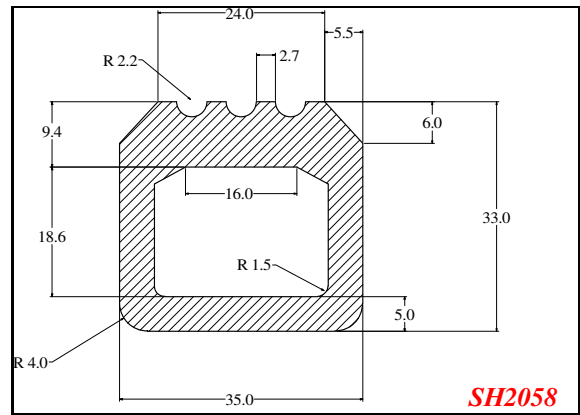
SH2733



SH3166

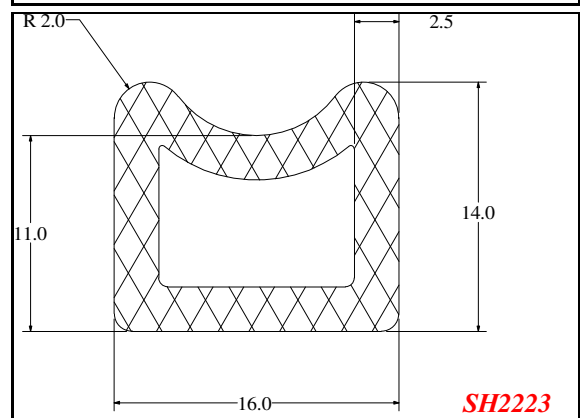
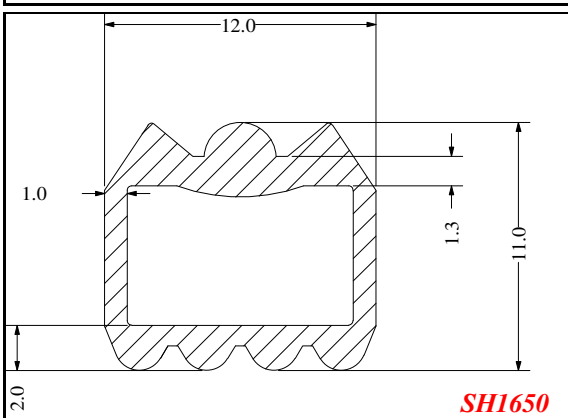
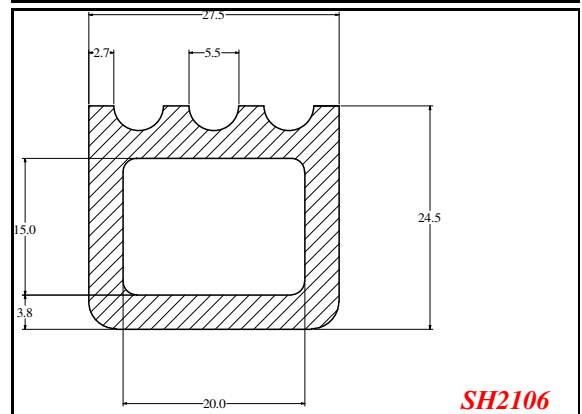
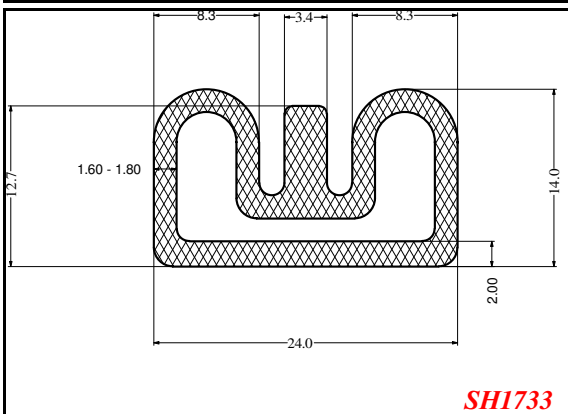
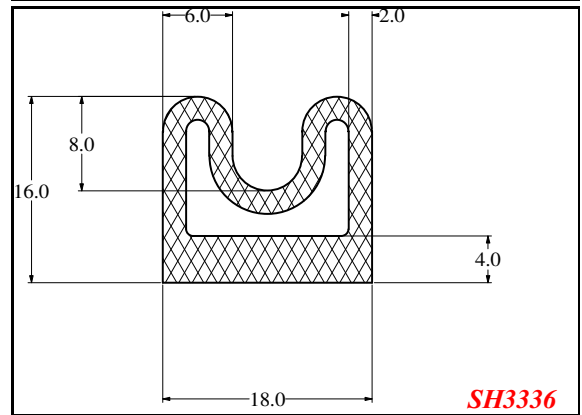
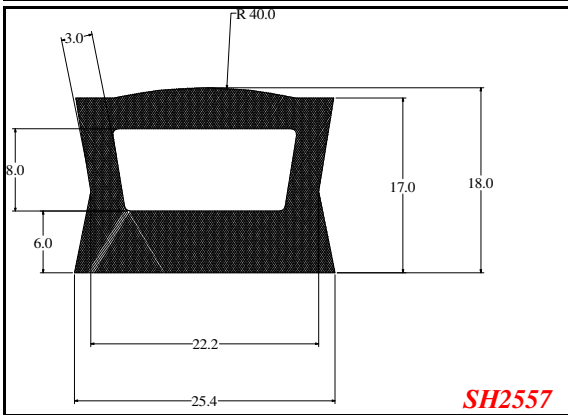
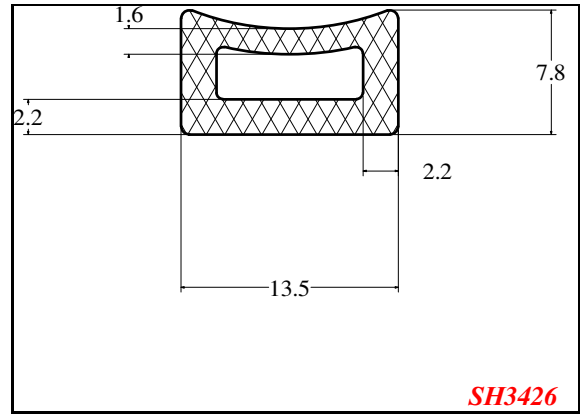
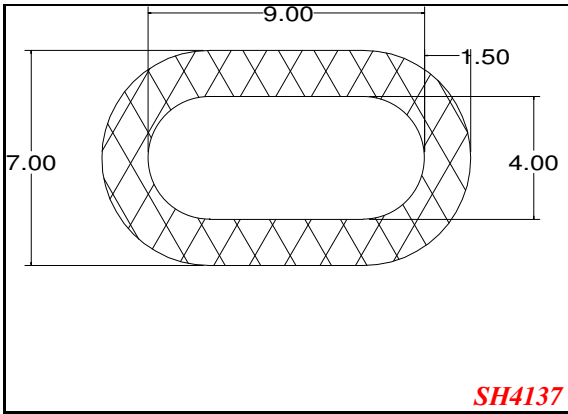


SH3999

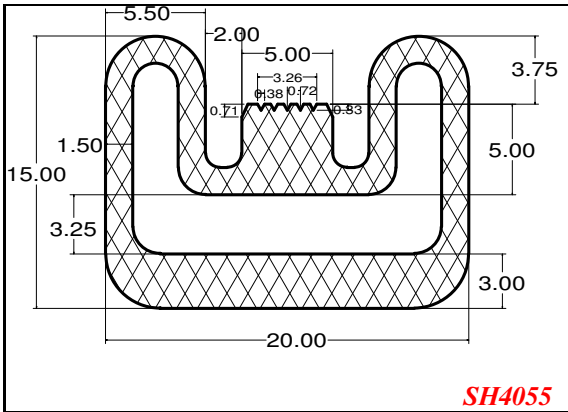


SH2058

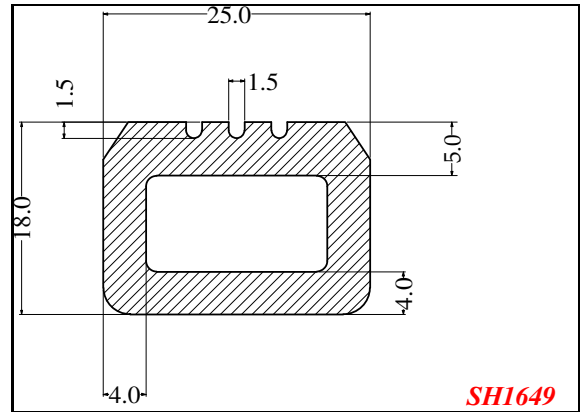
Inflatable-seal



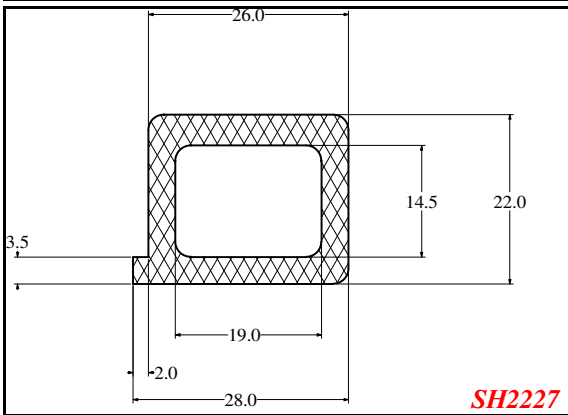
Inflatable-seal



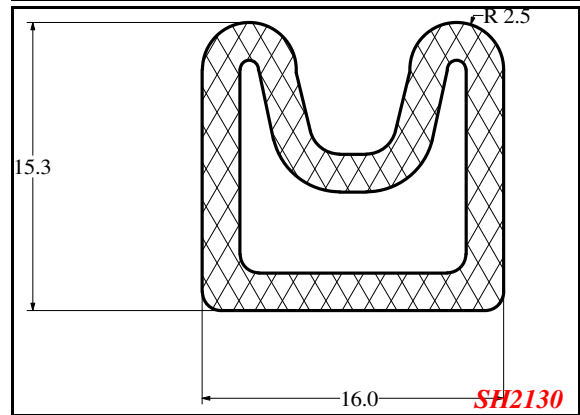
SH4055



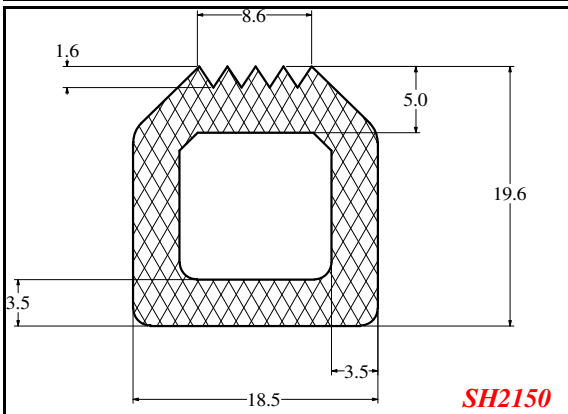
SH1649



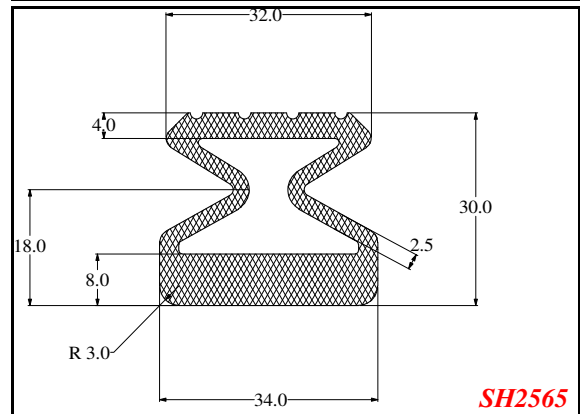
SH2227



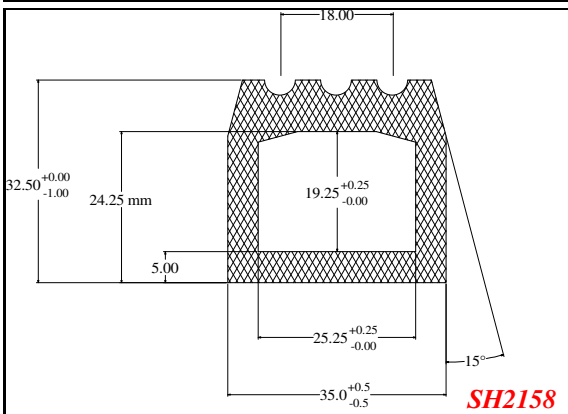
SH2130



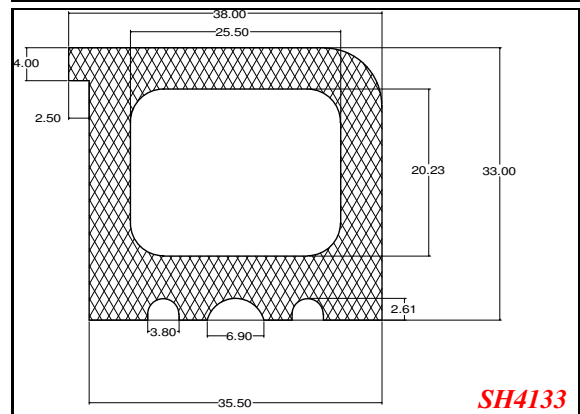
SH2150



SH2565

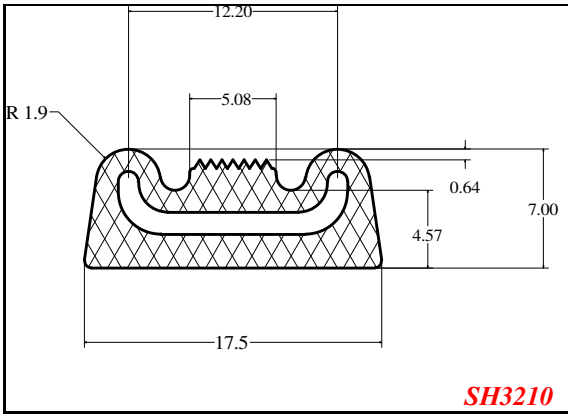


SH2158

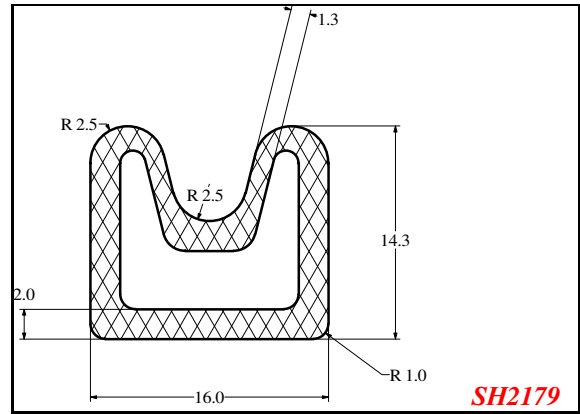


SH4133

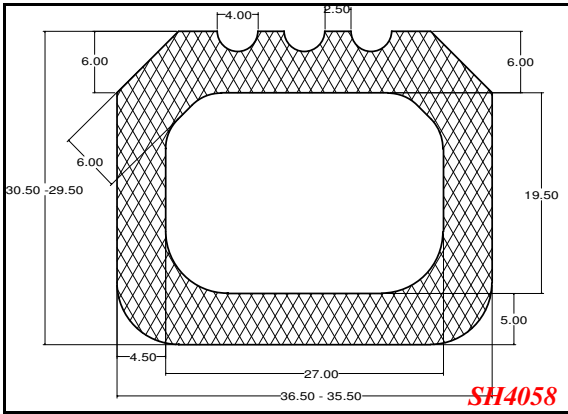
Inflatable-seal



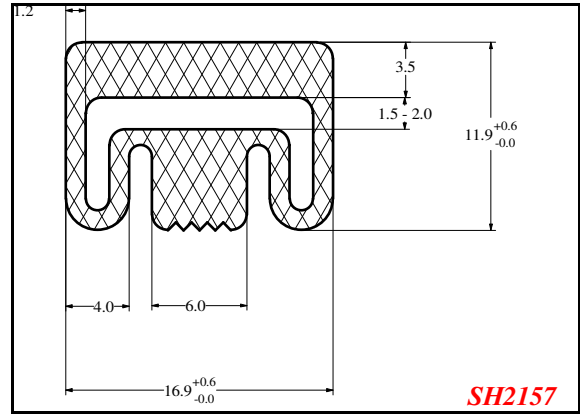
SH3210



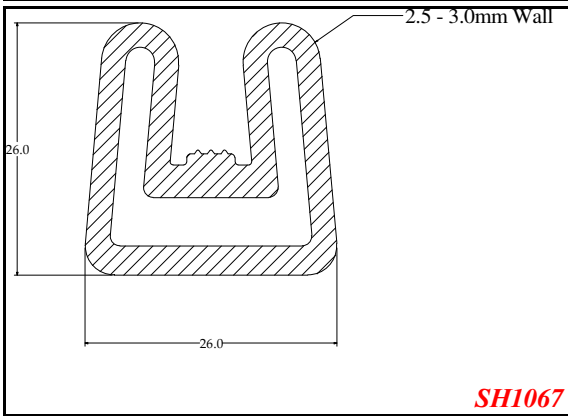
SH2179



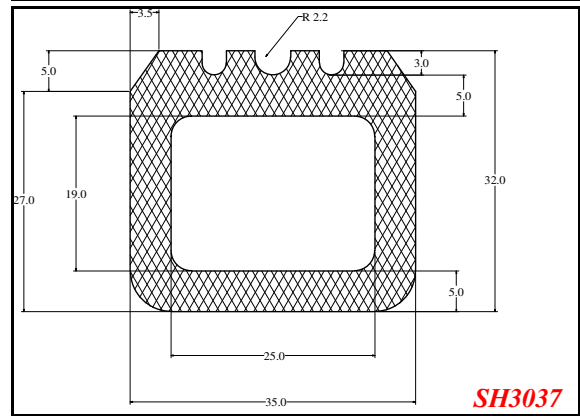
SH4058



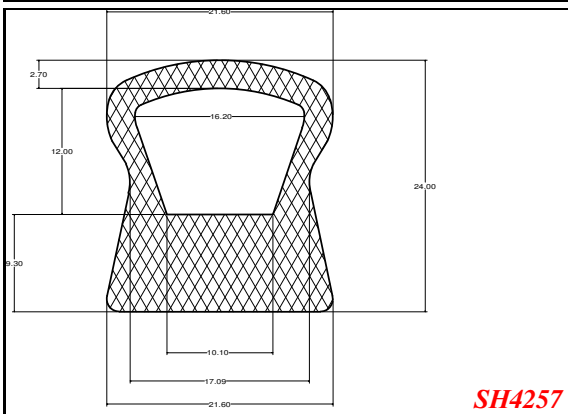
SH2157



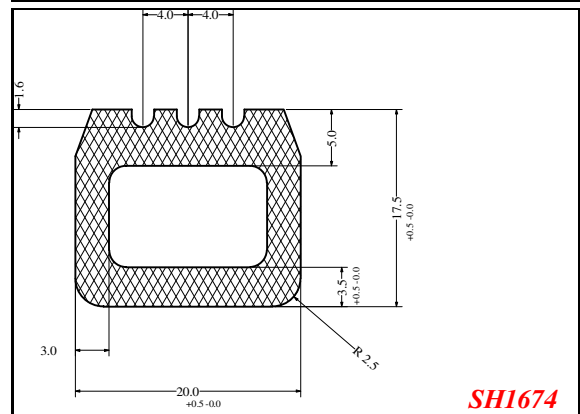
SH1067



SH3037



SH4257



SH1674

Inflatable-seal

