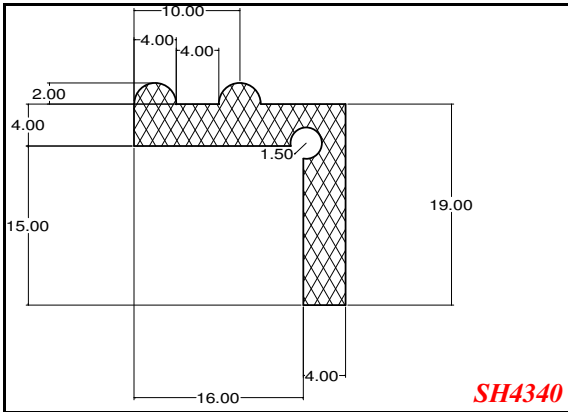
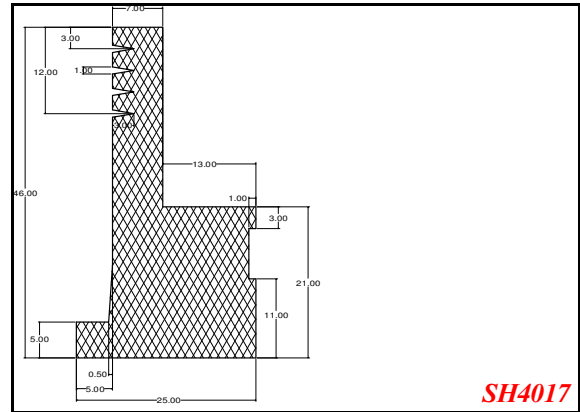


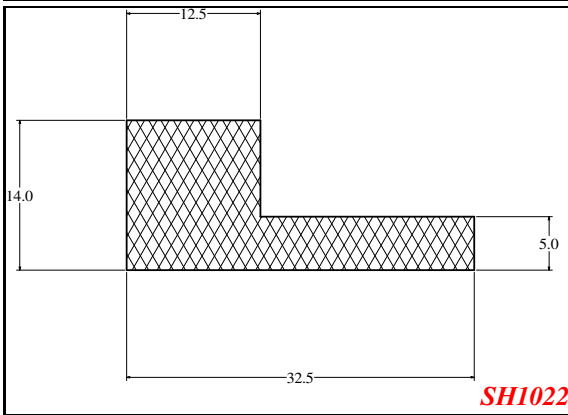
*L-Section*



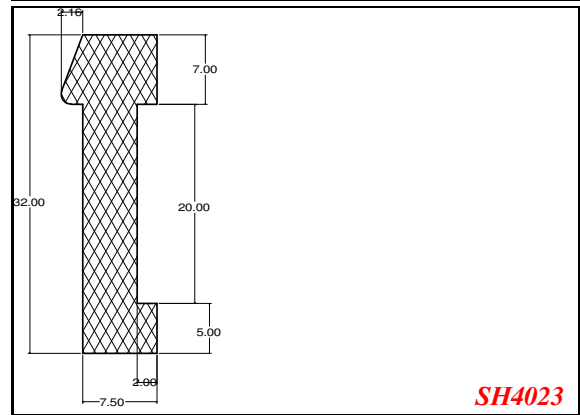
**SH4340**



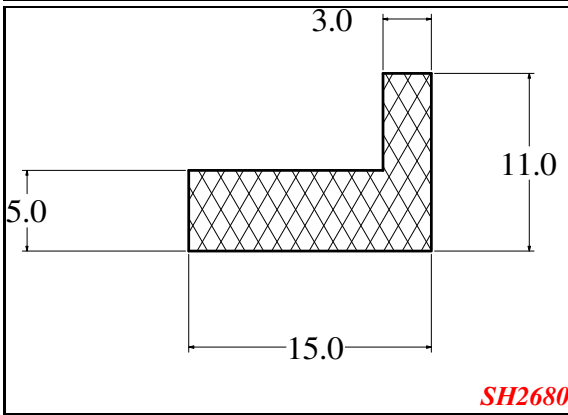
**SH4017**



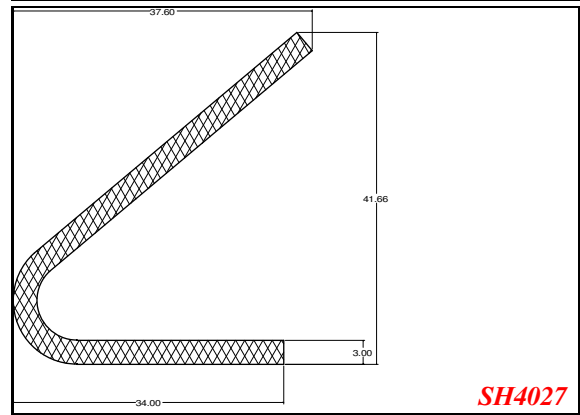
**SH1022**



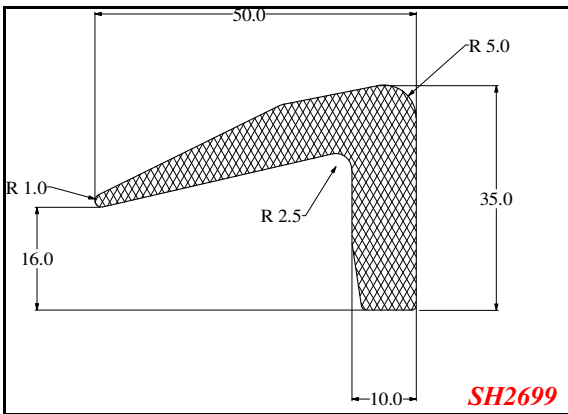
**SH4023**



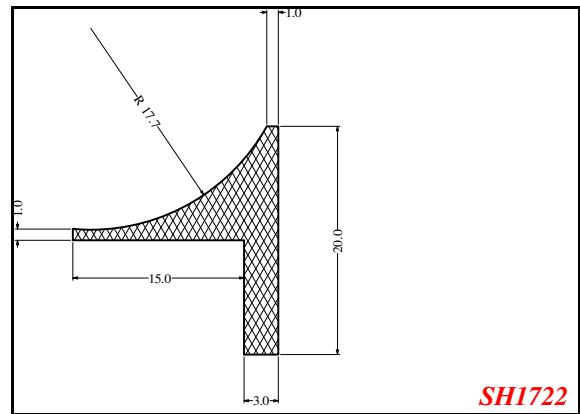
**SH2680**



**SH4027**

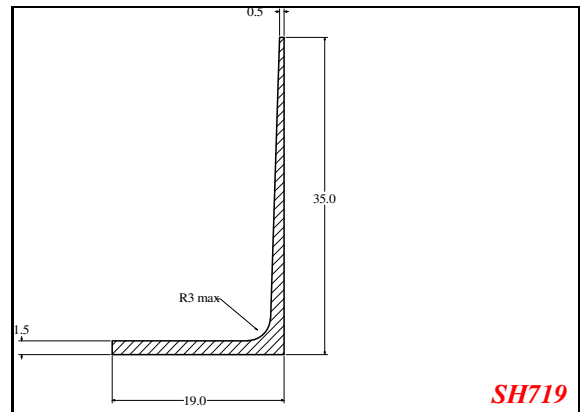
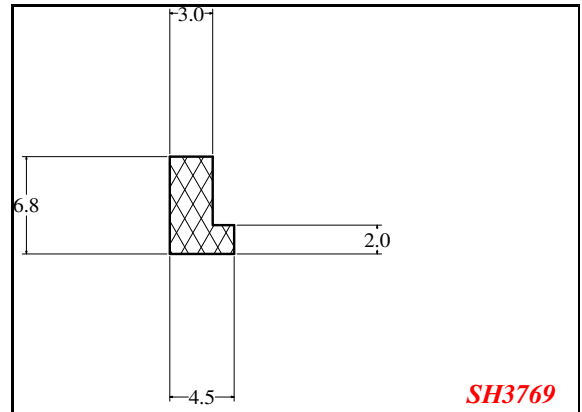
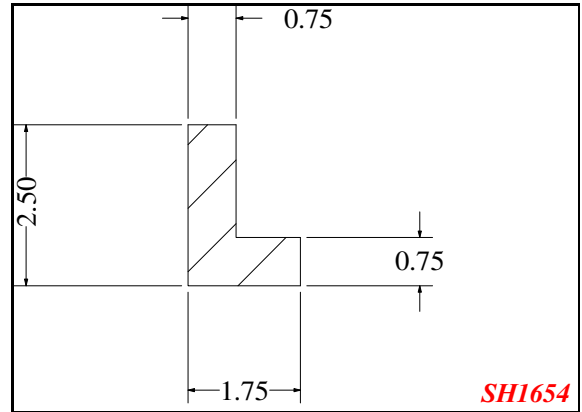
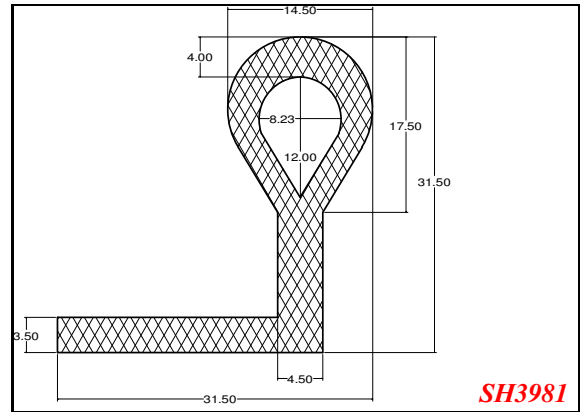
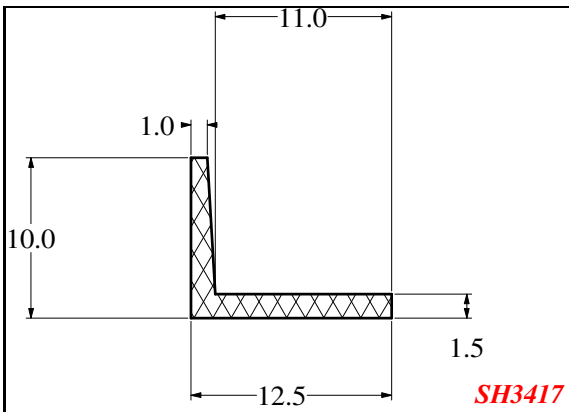
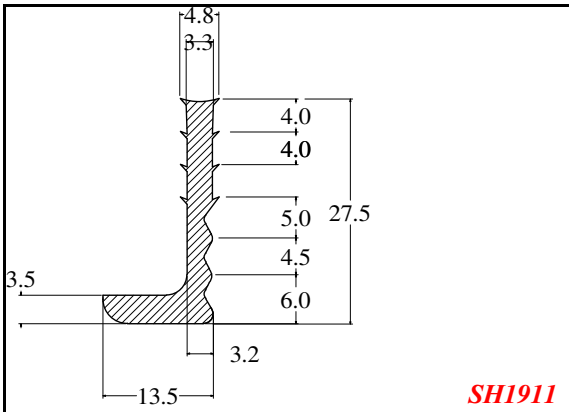
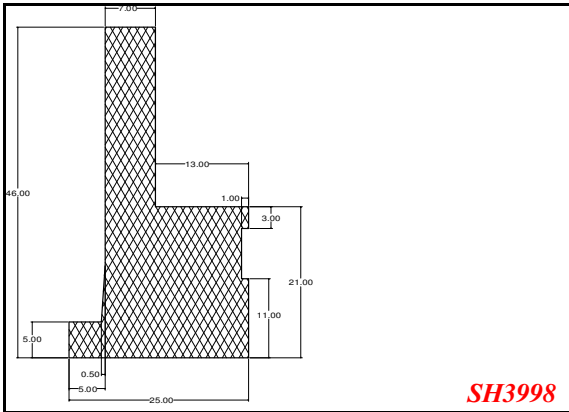
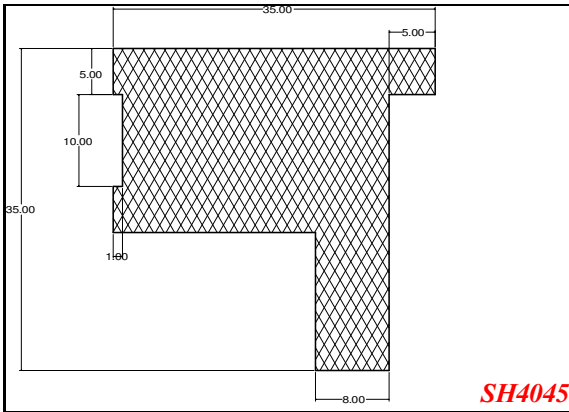


**SH2699**

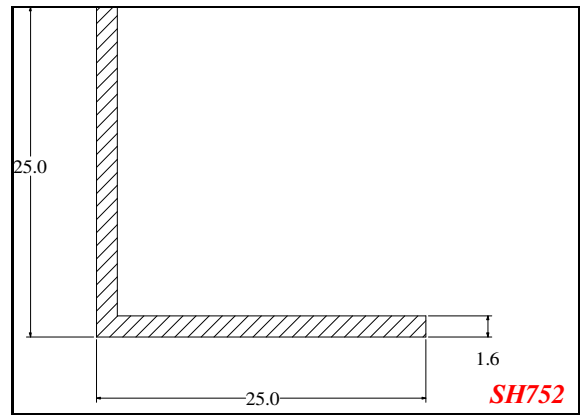
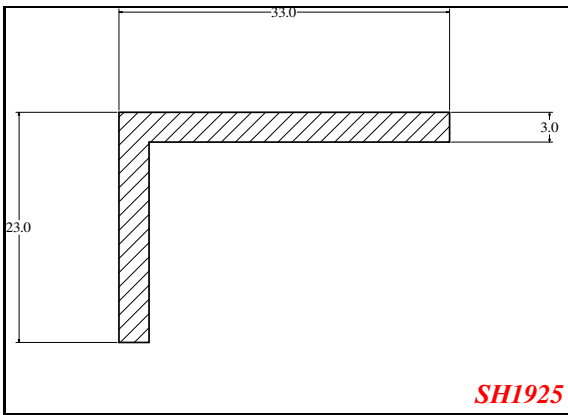
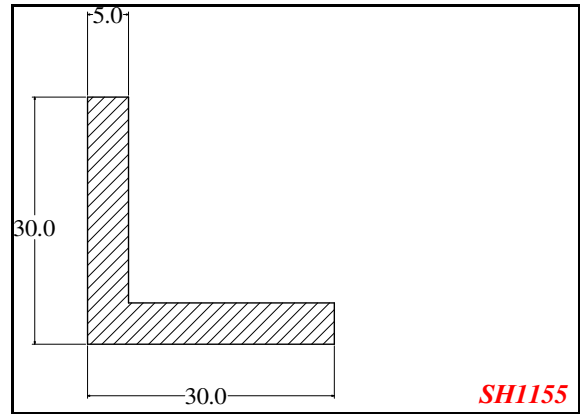
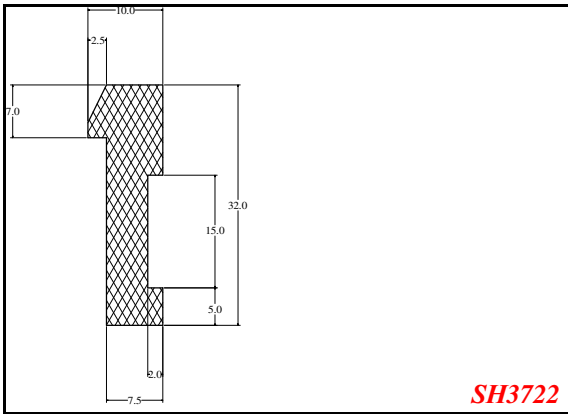
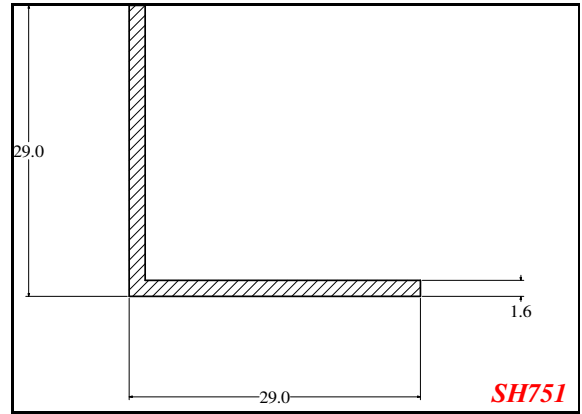
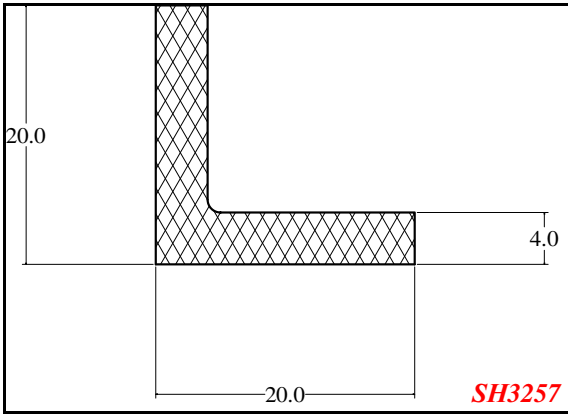
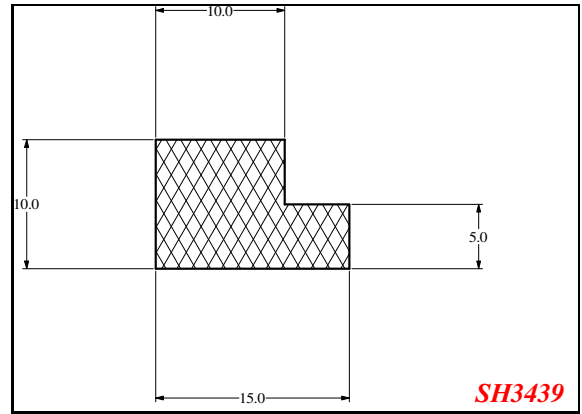
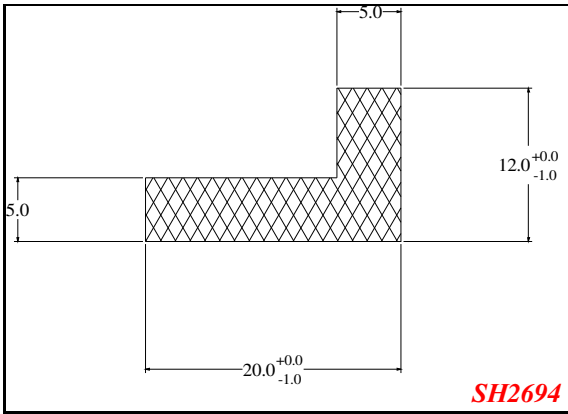


**SH1722**

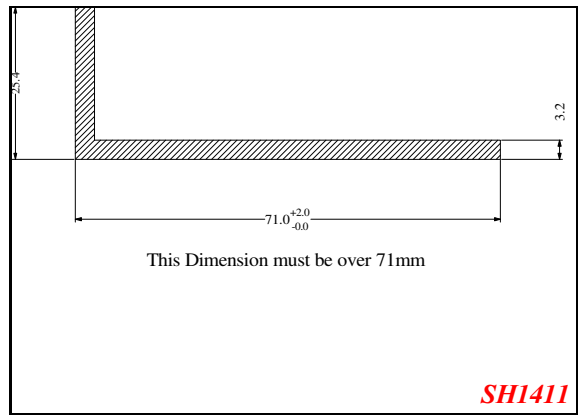
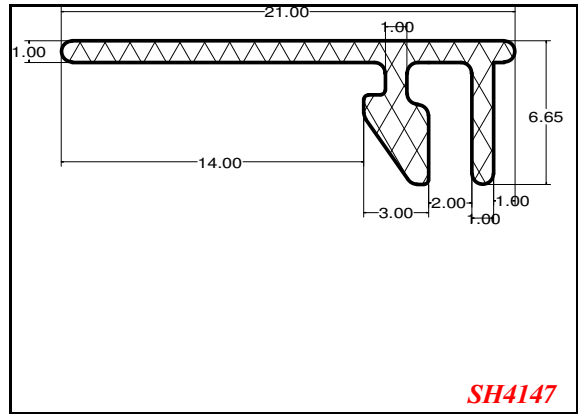
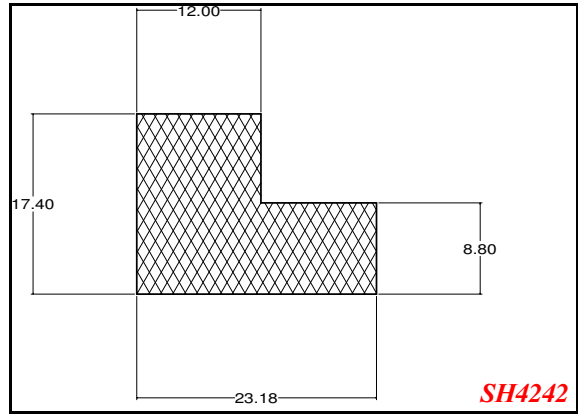
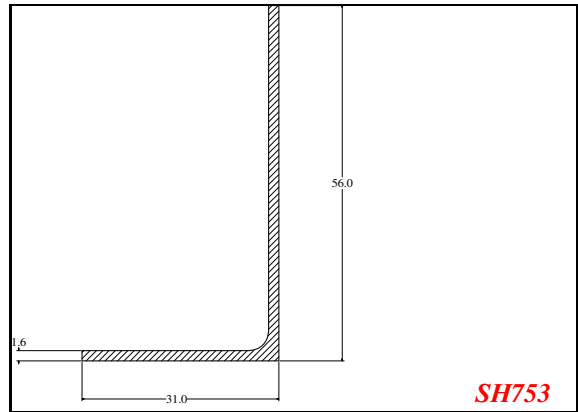
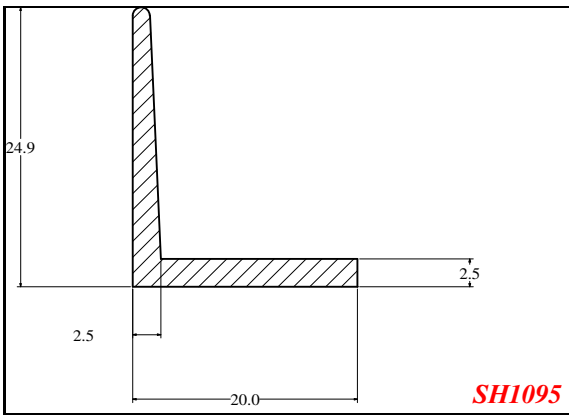
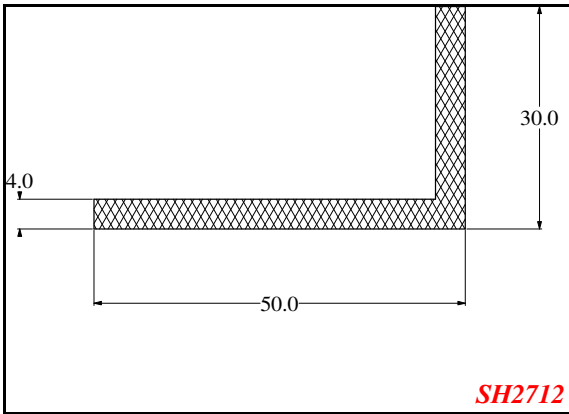
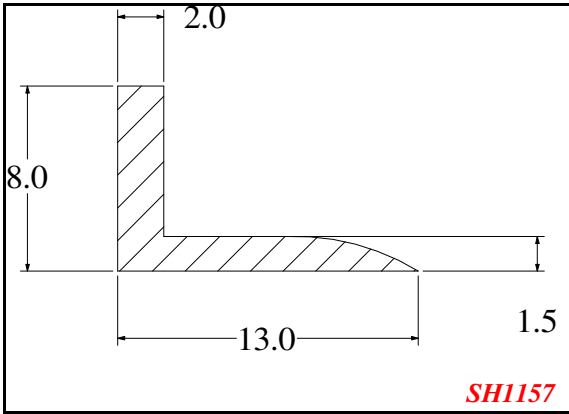
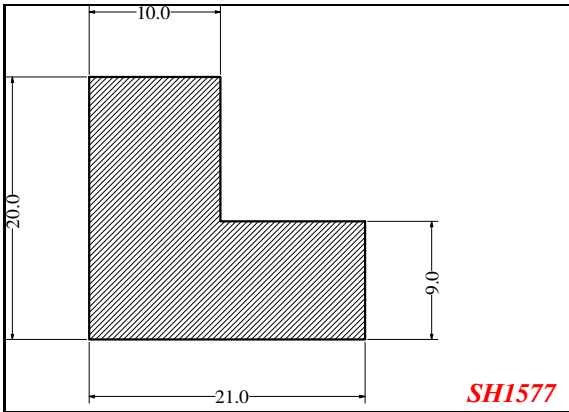
***L-Section***



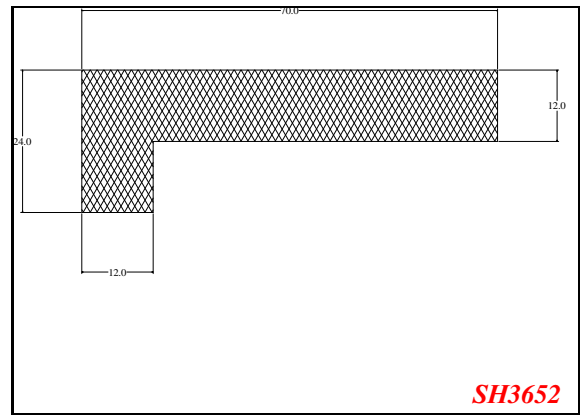
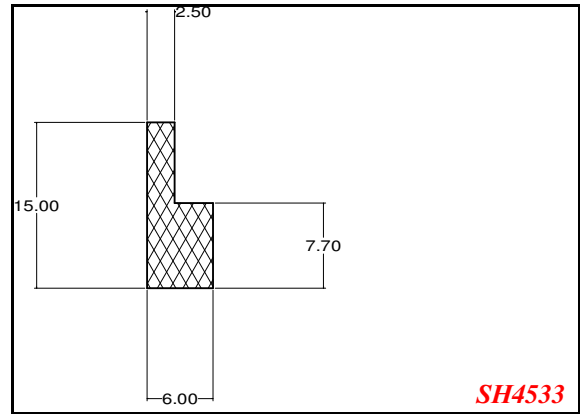
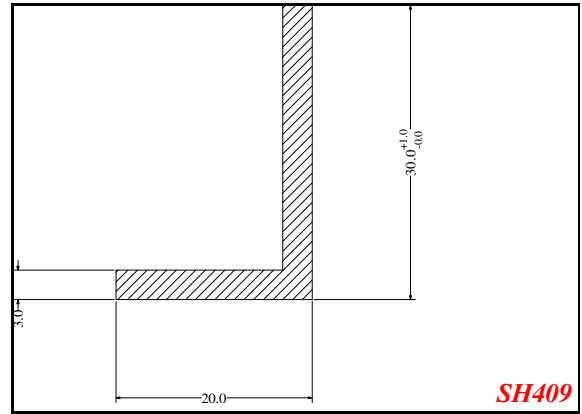
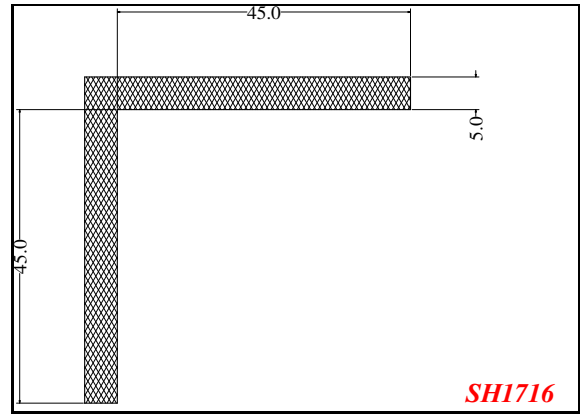
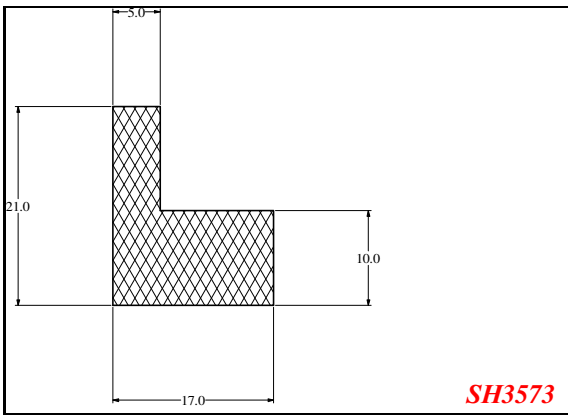
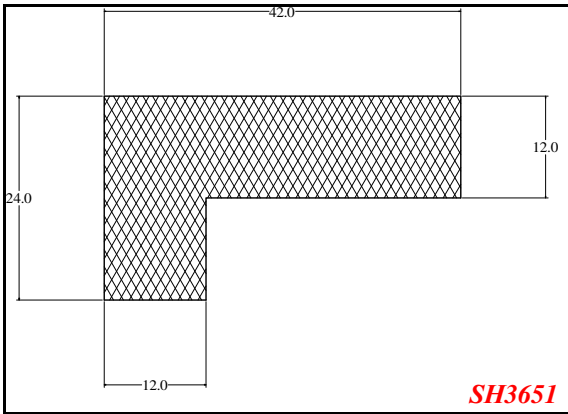
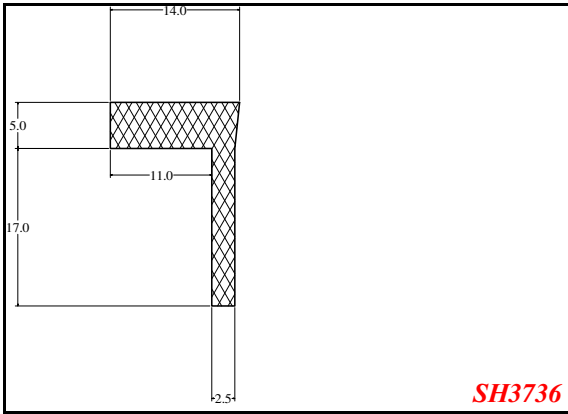
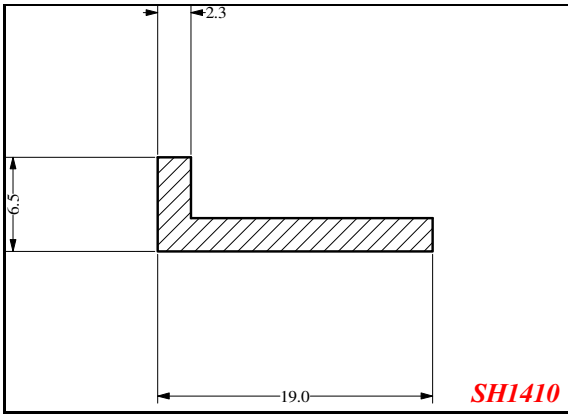
L-Section



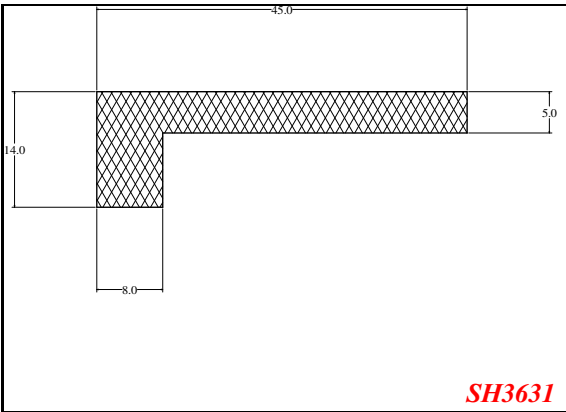
L-Section



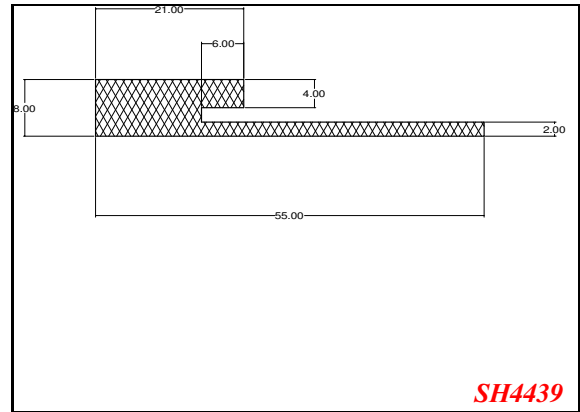
L-Section



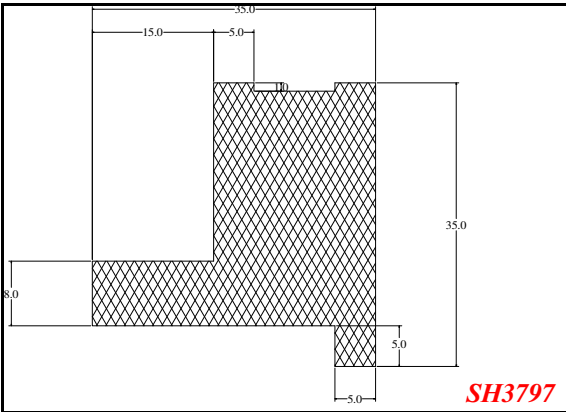
L-Section



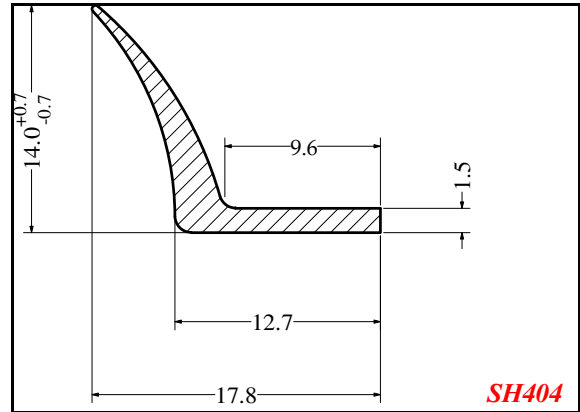
SH3631



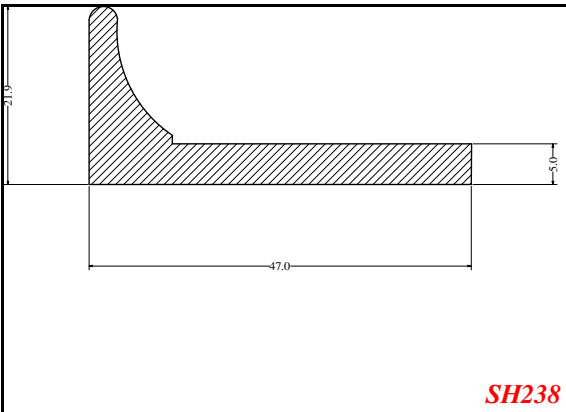
SH4439



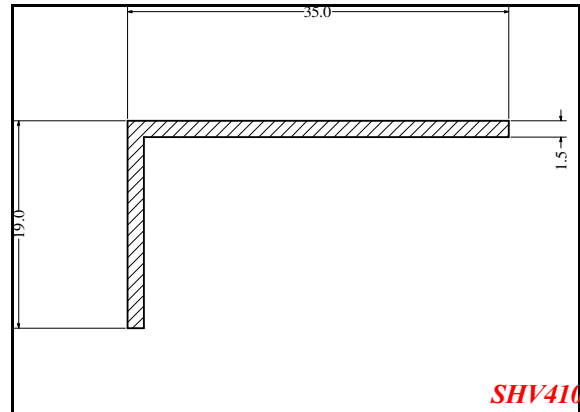
SH3797



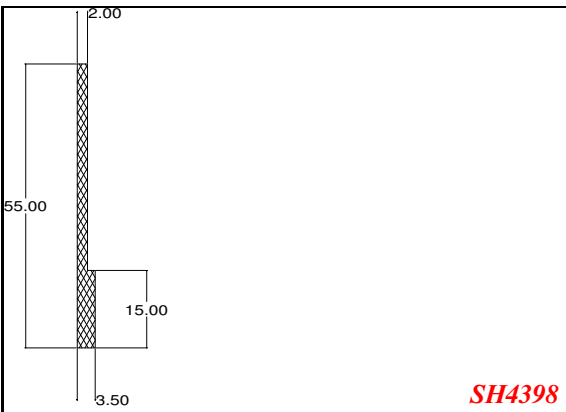
SH404



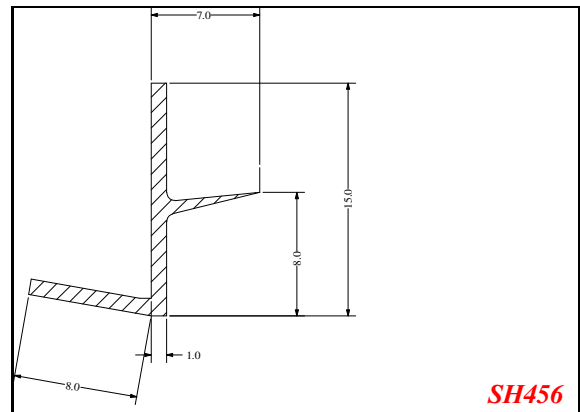
SH238



SHV410

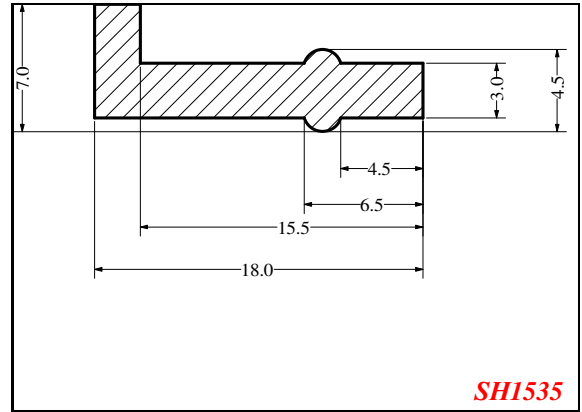
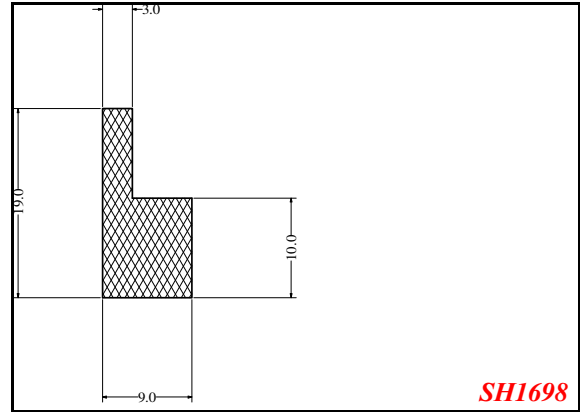
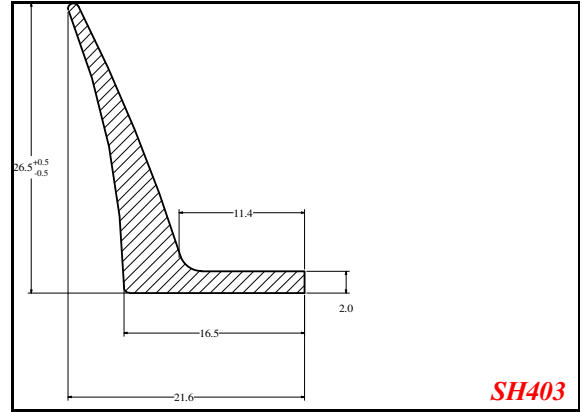
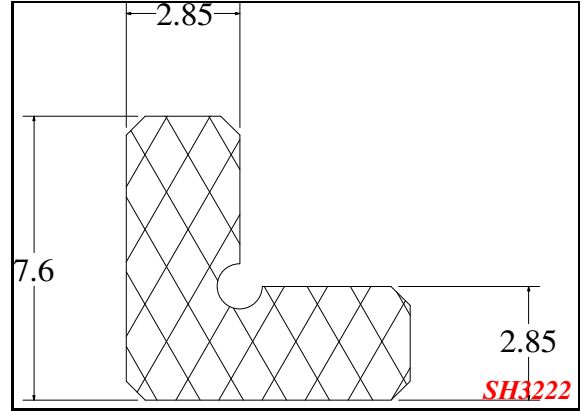
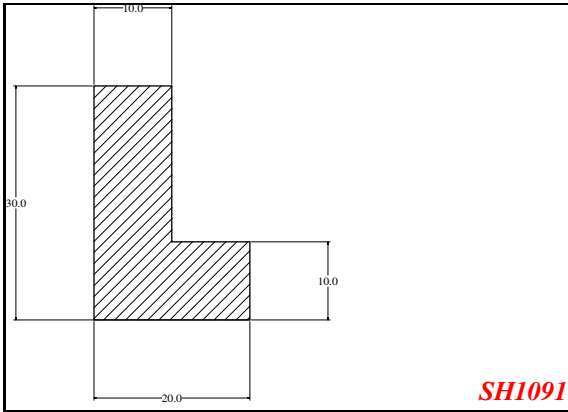
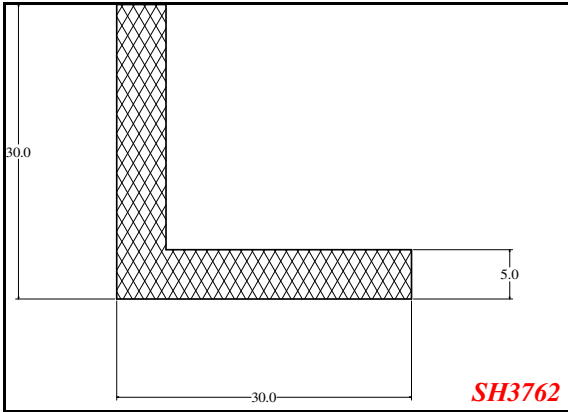
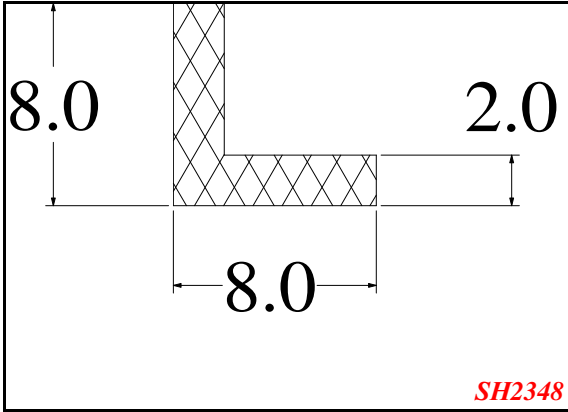
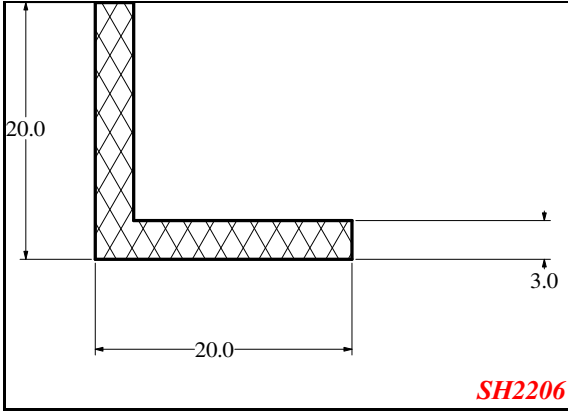


SH4398

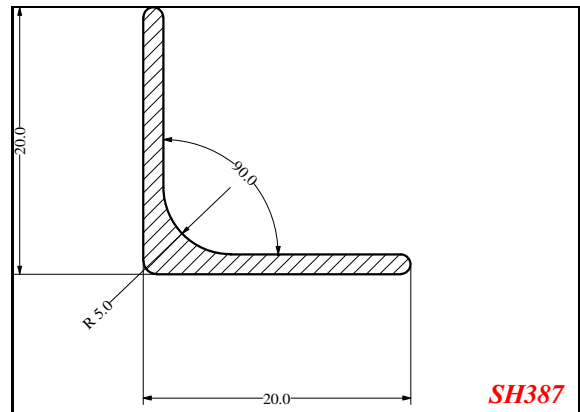
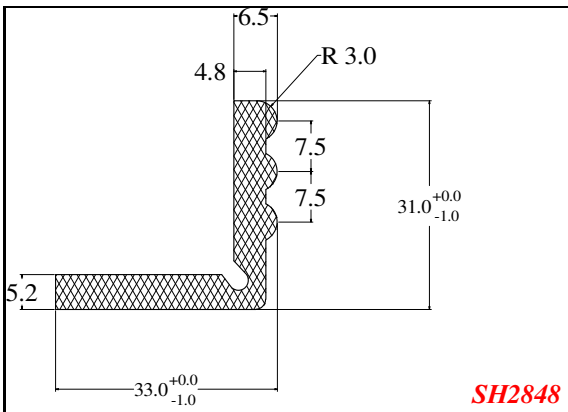
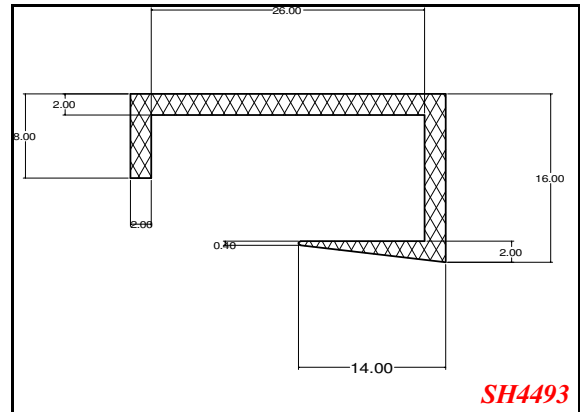
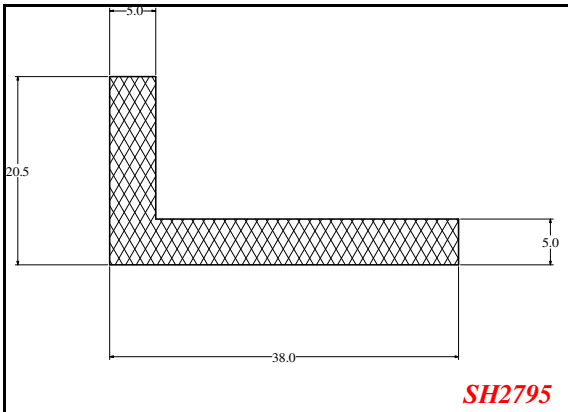
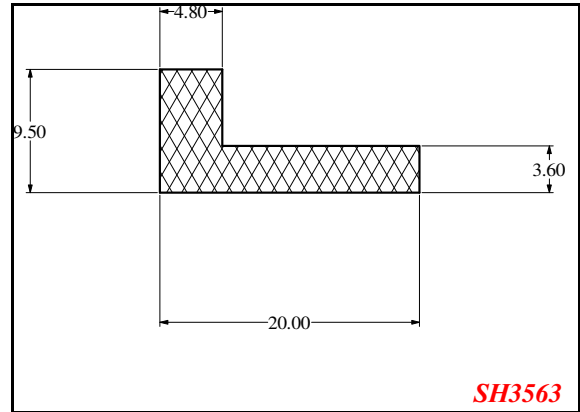
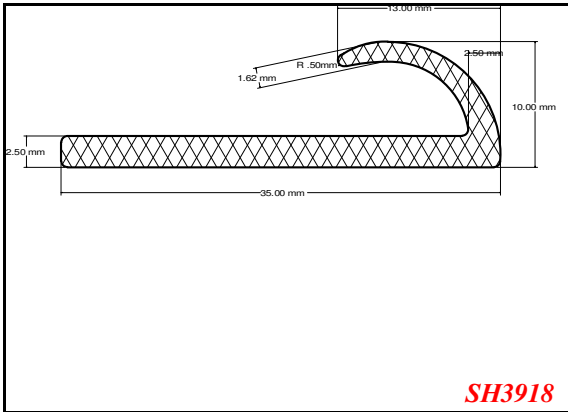
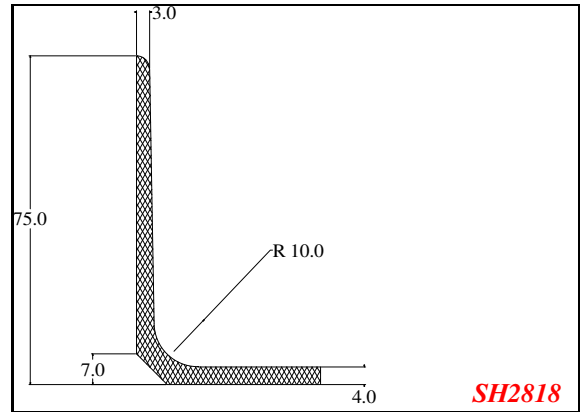
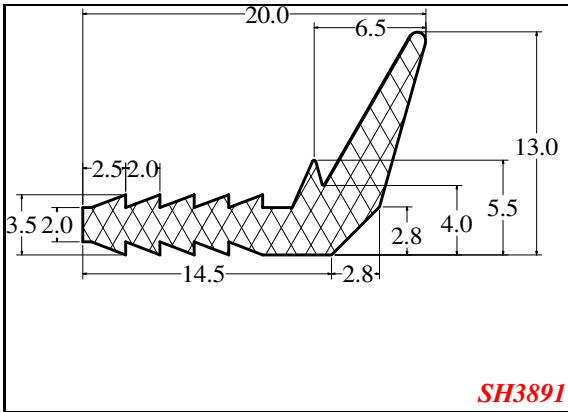


SH456

L-Section



**L-Section**





**L-Section**

